



### Safety Precautions

Drilling into the dash or console is a permanent installation to the vehicle. Use caution and consult a mobile install professional to avoid drilling into the gas tank, electrical system or other highly sensitive vehicle components.

Arkon Resources, Inc. is not responsible for any damages caused to your vehicle, furniture or yourself due to the install of the pedestal mount.

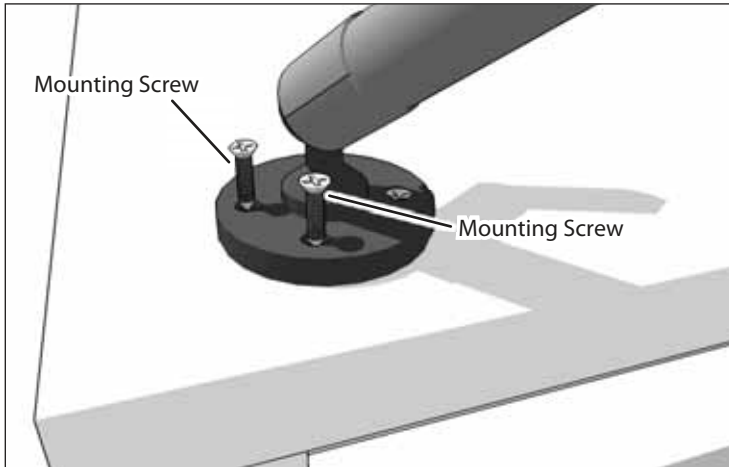
### Package Contents:

**(1) HD005-AMPS** - 10" Heavy Duty Aluminum Mount with 4-Hole Drill Base (includes (2) sets of (4) screws and screw anchors)



## 1 Place the Mount

Tighten the 4 screws through the drill base holes into the mounting surface. You may need to first drill pilot holes and / or insert the included screw anchors depending on the mounting surface.



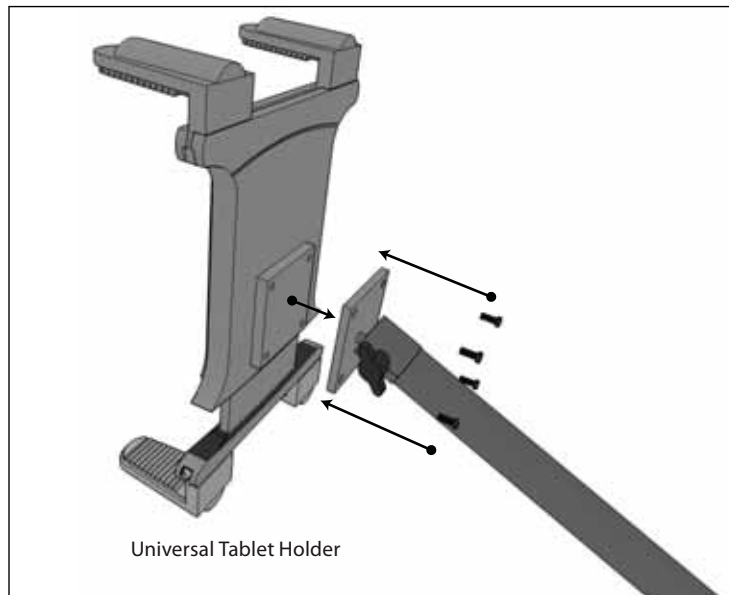
## 3 Adjust the Mount

Adjust the mount position by loosening the joint adjustment knobs and retightening in the desired position.



## 2 Attach the Holder (sold separately)

Attach an AMPS-compatible holder to the mount with screws.



### Safety Precautions

Do not install Arkon products over an air bag cover or within the air bag deployment zone. Arkon Resources, Inc. assumes no responsibility of liability for injury or death as a result of car crashes and / or air bag deployment.

Arkon is not responsible for any damages caused to your car, your device, or yourself due to the installation or use of this pedestal mount.

**ARKON**<sup>®</sup> *The Mobile Mounting Specialists™*

Consumer Hotline:

USA (800) 841-0884

INT'L (626) 254-9005

Monday - Friday 9 am - 5 pm, PST

[www.arkon.com](http://www.arkon.com)

Arcadia, CA 91006 USA

Made in Taiwan

© Copyright 2016 Arkon Resources, Inc.