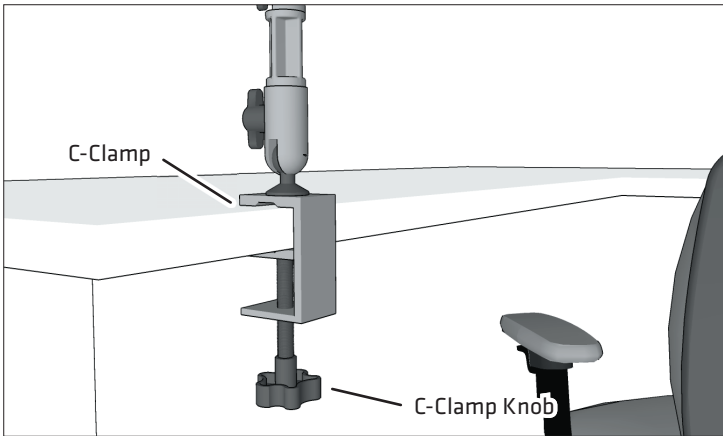


1 Attach the Mounting Pedestal

Open the c-clamp on the bottom of the mount by turning the clamp knob counterclockwise. Tighten the clamp knob to secure on mounting area.



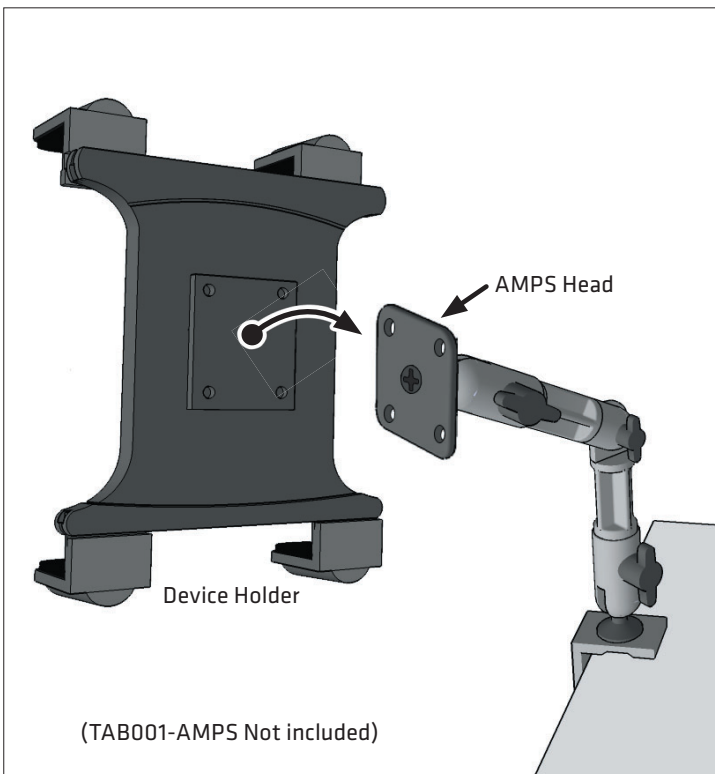
Package Contents:

(1) 8" Heavy-Duty Aluminum C-Clamp Mount



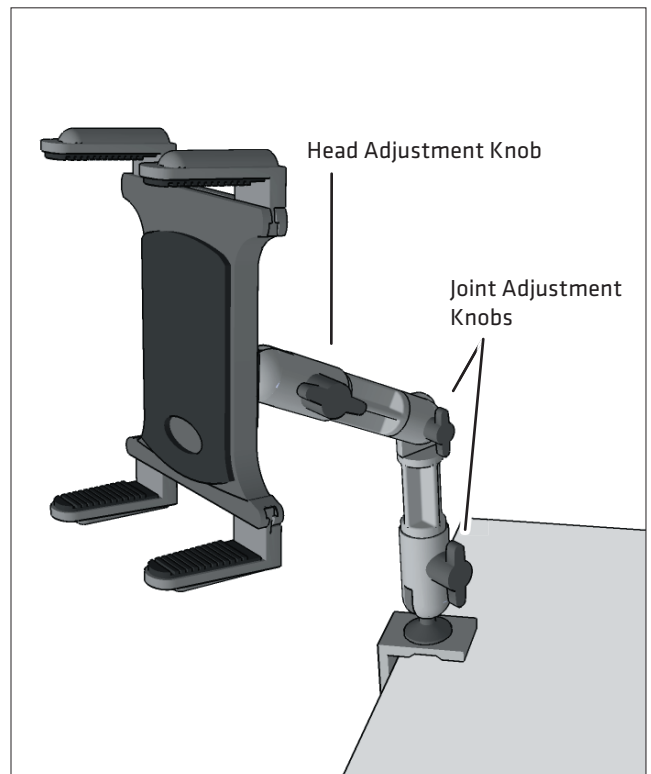
2 Attach the Holder (sold separately)

Attach AMPS-compatible adapter or holder to the c-clamp mount. (Screws not included)



3 Adjust the Mount

Adjust the c-clamp mount position by loosening the joint adjustment knobs and retightening in the desired position.



Safety Precautions

Arkon is not responsible for any damages caused to your device, your vehicle, your passengers, or yourself due to the installation or use of this mount.

ARKON MOUNTS

Consumer Hotline:

USA (800) 841-0884

INT'L (626) 254-9005

Monday - Friday 9 am - 5 pm, PST

www.arkon.com

Arcadia, CA 91006 USA

Designed in USA | Made in Taiwan

© Copyright 2018 Arkon Resources, Inc.