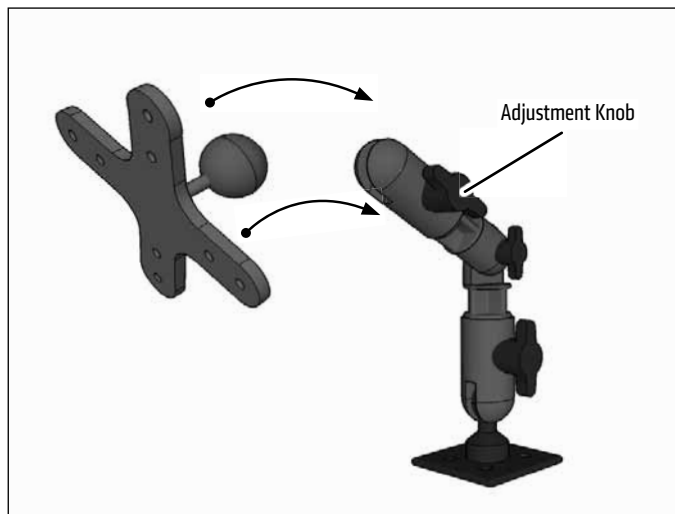


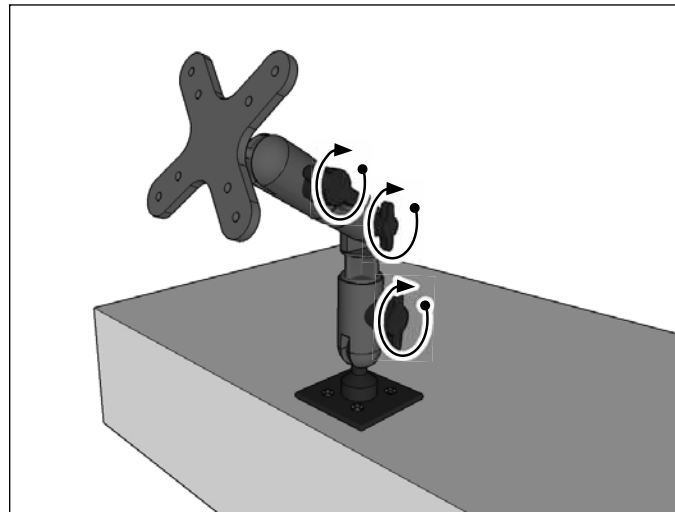
Package Contents:

- (1) HD010AMPS – 6" Heavy-Duty Multi-Angle Drill-Base Pedestal
- (1) AP20MMVESA – 20mm Ball to VESA 75/VESA 100 Adapter

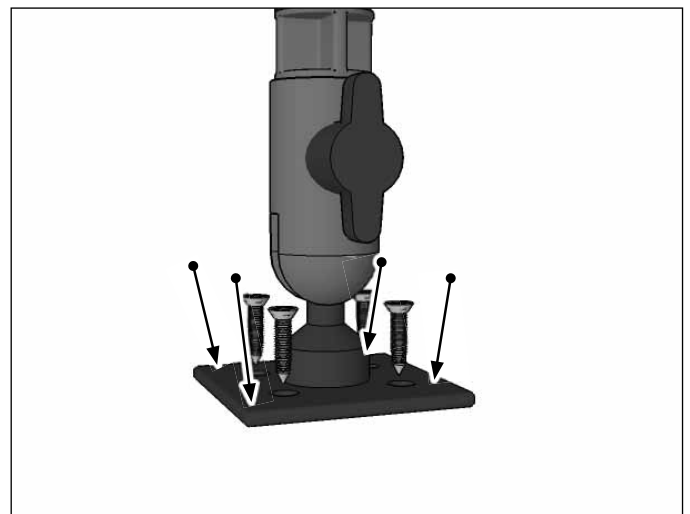
- 1** Loosen knob and remove 4-Hole AMPS adapter from pedestal and replace with AP20MMVESA adapter as shown. Tighten to secure.



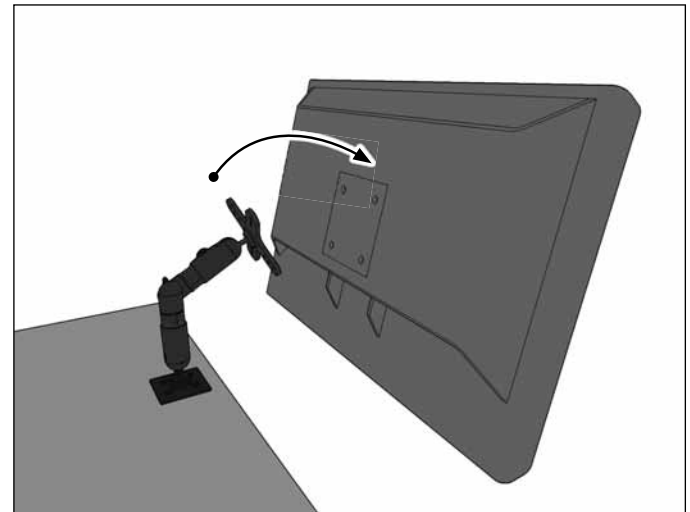
- 3** Loosen adjustment knob to adjust angle of pedestal and position of VESA plate. Tighten to secure.



- 2** Attach the pedestal to the mounting surface through the AMPS base plate. Choose the screws that will work best on the chosen mounting surface. Use anchors if necessary.



- 4** Attach any VESA 75/VESA 100 compatible device or holder (not included, sold separately) to the VESA plate.



! Safety Precautions

Do not install Arkon products over an air bag cover or within the air bag deployment zone. Arkon Resources, Inc. assumes no responsibility of liability for injury or death as a result of car crashes and / or air bag deployment.

Arkon is not responsible for any damages caused to your vehicle, your device, or yourself due to the installation or use of this mount.

ARKON
RESOURCES INC.

The Mobile Mounting Specialists™

Consumer Hotline:

USA (800) 841-0884

INT'L (626) 254-9005

Monday - Friday 9 am - 5 pm, PST

www.arkon.com

Arcadia, CA 91006 USA

Designed in USA | Made in Taiwan

© Copyright 2017 Arkon Resources, Inc.