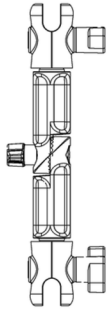
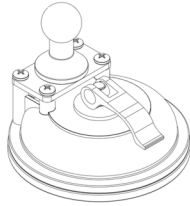


SP20MM1420



SPHD006



SPBASE20MM

Includes:

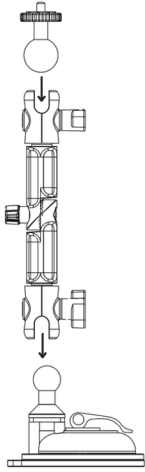
- 1 - 20mm Metal Ball to 1/4"-20 Camera Adapter (SP20MM1420)
- 1 - Multi-Angle Drill-Base Mounting Pedestal (SPHD006)
- 1 - Windshield Suction Base with Metal 20mm Ball (SPBASE20MM)

Important: Clean the application surface and make sure it is free of dirt, dust, and grease before installation.

1

Assemble the Components

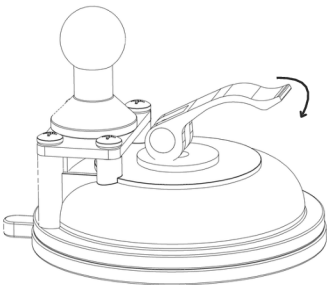
Loosen both knobs at each end of the shaft. Next, insert the 20mm balls into each end of the shaft arm, and tighten the knobs by turning them clockwise.



3

Installing the Mount

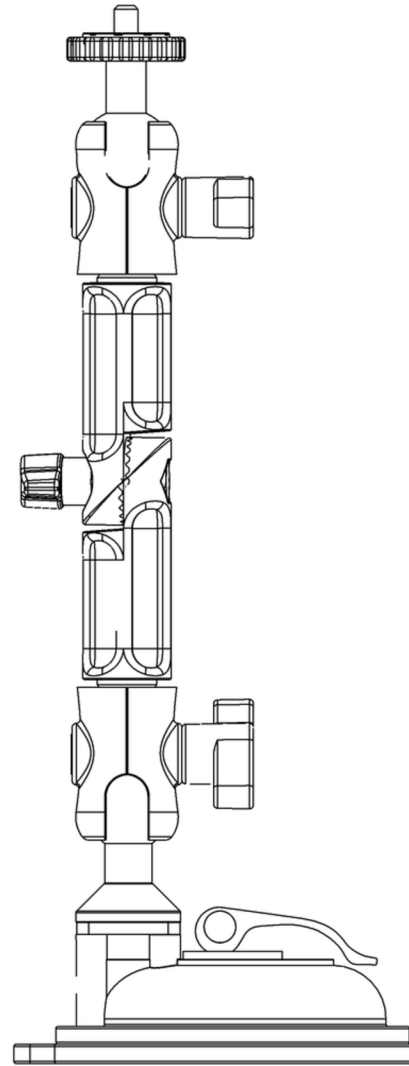
Locate a flat and secure spot on the windshield to affix the suction cup. Peel off the clear protective sheet from the base, then firmly press the suction cup base onto the surface. Secure the suction cup in place by flipping the lever downward to lock it.



2

Fully Assembled

Refer to the image below for the full assembled product.



WARNING

CHOKING HAZARD - Keep out of reach from children under 8 yrs. as they can choke or suffocate on parts included with this system

WARNING

Arkon® is not responsible for any damages caused to your device or yourself due to the installation or use of this mount. Do not install Arkon® products near areas that interfere with operation of vehicles. Arkon® assumes no responsibility or liability for injury or death as a result of failure to install in a safe location. Arkon® is not responsible for any damages caused to vehicles, product, or people due to the installation or use of this product.

