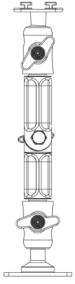
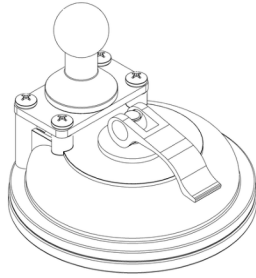


HD6802T | Dual T-Tab Mounting Pattern with Multi-Angle Arm and Windshield Suction Mount



HD006



SPBASE20MM

Includes:

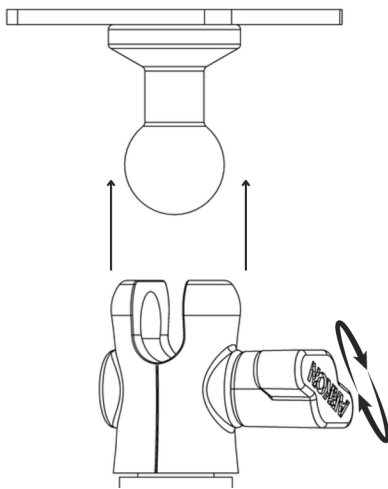
- 1 – Multi-Angle Drill-Base Mounting Pedestal (HD006)
- 1 – Windshield Suction Base with Metal 20mm Ball (SPBASE20MM)

Please note that the HD006 package includes an extra AMPS adapter and hardware package for a drilling base option.

- 1 - 20mm to 4-Hole AMPS Adapter Plate (AP20MMAL)
- 4 - Philips M4 coarse 22mm
- 4 - Philips M4 coarse 26mm
- 4 - M4 Drill wall anchors 26mm

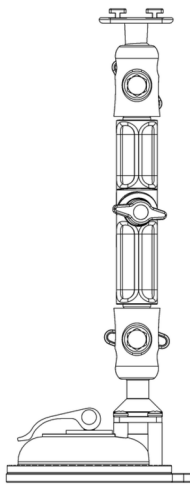
1 Modifying the Pedestal

Remove the AMPS adapters from the pedestal by turning the knob counterclockwise.



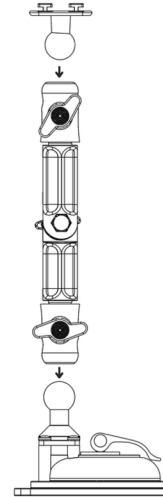
3 Fully Assembled

Refer to the image below for the full assembled product.



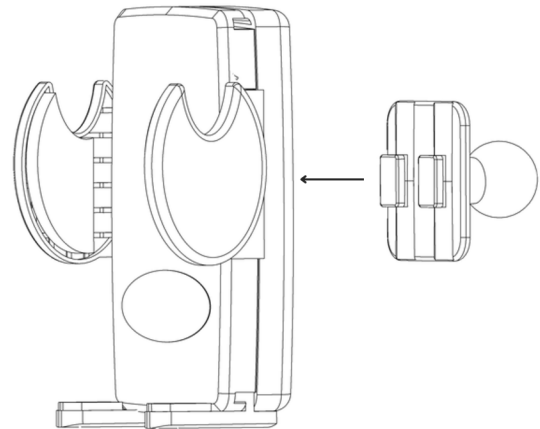
2 Assemble the components

Attach the 20mm ball from the suction base to the pedestal. Finally, tighten the knob to secure everything in place.



4 Install a Dual T-Tab holder that is compatible

Connect the Dual T-Tab holder to the Dual T-Tab adapter to establish a full mount system.



WARNING

CHOKING HAZARD - Keep out of reach from children under 8 yrs. as they can choke or suffocate on parts included with this system

WARNING

Arkon® is not responsible for any damages caused to your device or yourself due to the installation or use of this mount. Do not install Arkon® products near areas that interfere with operation of vehicles. Arkon® assumes no responsibility or liability for injury or death as a result of failure to install in a safe location. Arkon® is not responsible for any damages caused to vehicles, product, or people due to the installation or use of this product.