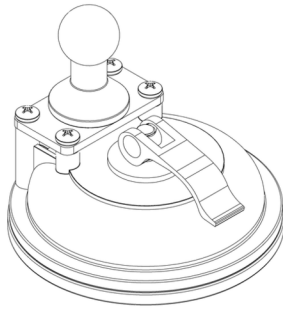


HD006NHB



SPBASE20MM

Includes:

- 1 - Multi-Angle Drill-Base Mounting Pedestal (HD006NHB)
- 1 - Windshield Suction Base with 20mm Ball (SPBASE20MM)

Please note the HD006NHB hardware specifications for a drilling base option.

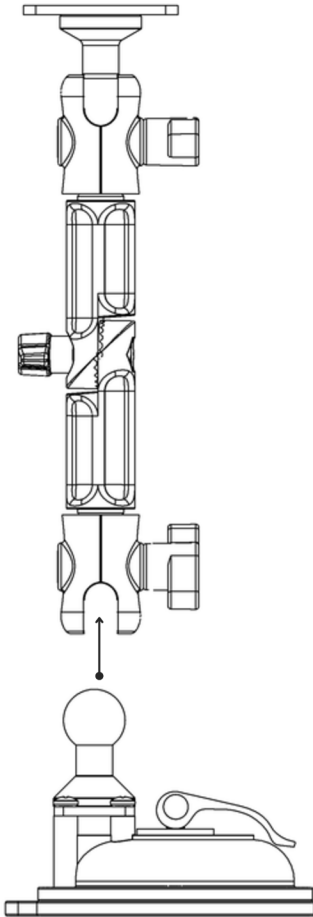
- 4 - Philips M4 coarse 22mm
- 4 - Philips M4 coarse 26mm
- 4 -M4 Drill wall anchors 26mm

Important: Clean the application surface and make sure it is free of dirt, dust, and grease before installing the mounting hardware.

1

Assemble the Components

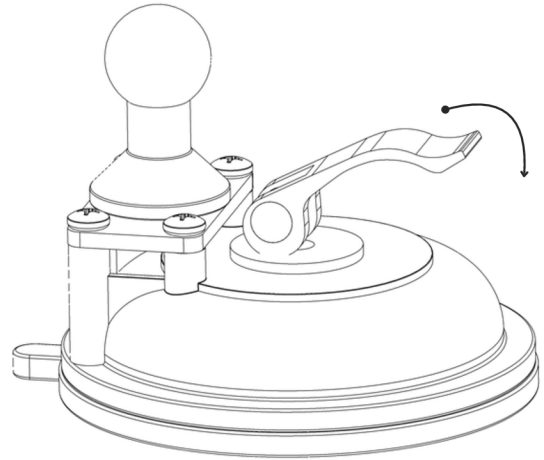
Loosen the bottom knob of the shaft. Next, insert the 20mm ball from the suction base, and tighten the knob by turning it clockwise.



2

Installing the Mount

Locate a flat and secure spot on the windshield to affix the suction cup. Peel off the clear protective sheet from the base, then firmly press the suction cup base onto the surface. Secure the suction cup in place by flipping the lever downward to lock it.



WARNING

CHOKING HAZARD - Keep out of reach from children under 8 yrs. as they can choke or suffocate on parts included with this system

WARNING

Arkon® is not responsible for any damages caused to your device or yourself due to the installation or use of this mount. Do not install Arkon® products near areas that interfere with operation of vehicles. Arkon® assumes no responsibility or liability for injury or death as a result of failure to install in a safe location. Arkon® is not responsible for any damages caused to vehicles, product, or people due to the installation or use of this product.

