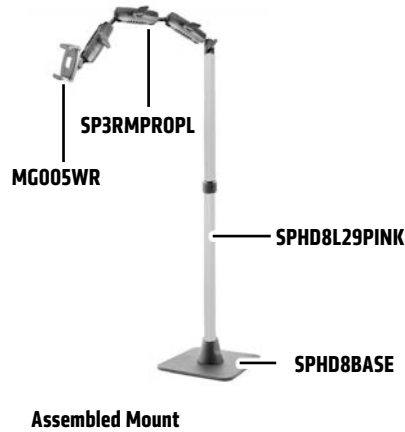
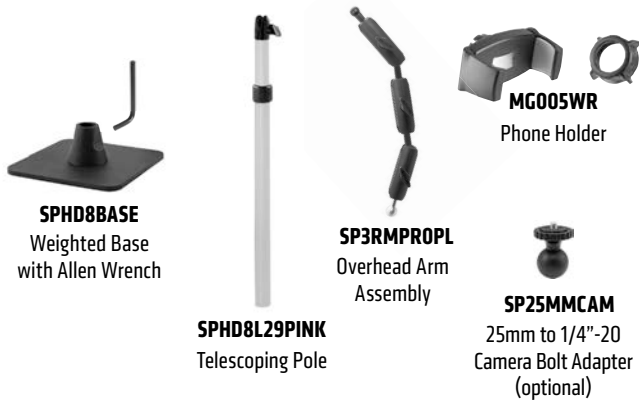


Your Pro Stand will arrive in five pieces:

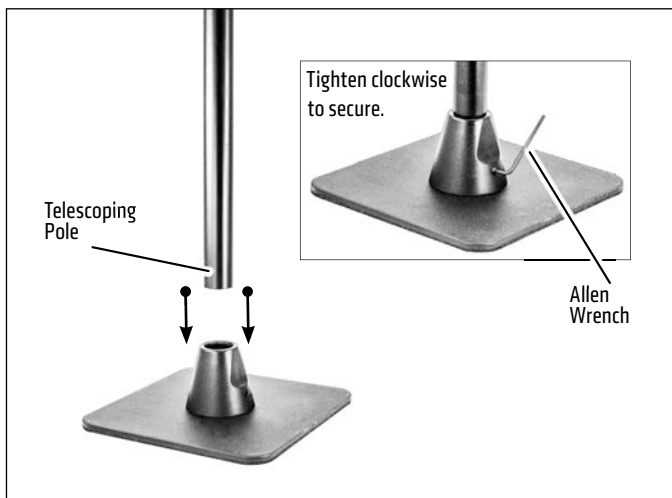


Telescoping pole extends upward from 17 inches to 29 inches.

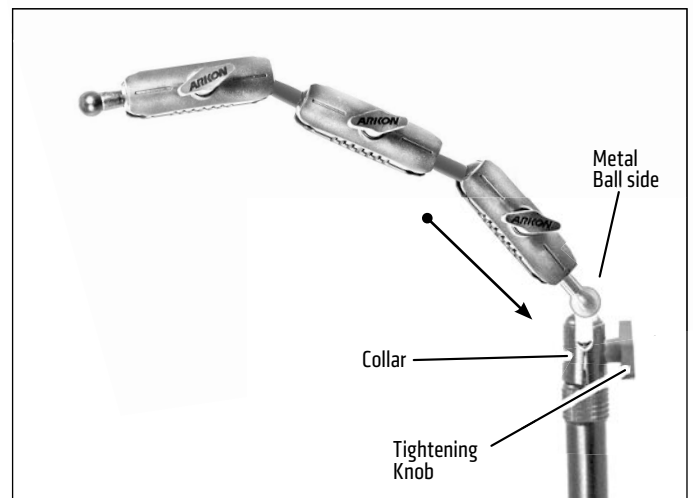
Compatibility:
Fits smartphones with cases weighing up to 2 pounds and measuring up to 3.9" wide.

IMPORTANT:
Do not overtighten ring. Overtightening ring may damage threads on holder and also make it difficult to adjust holder.

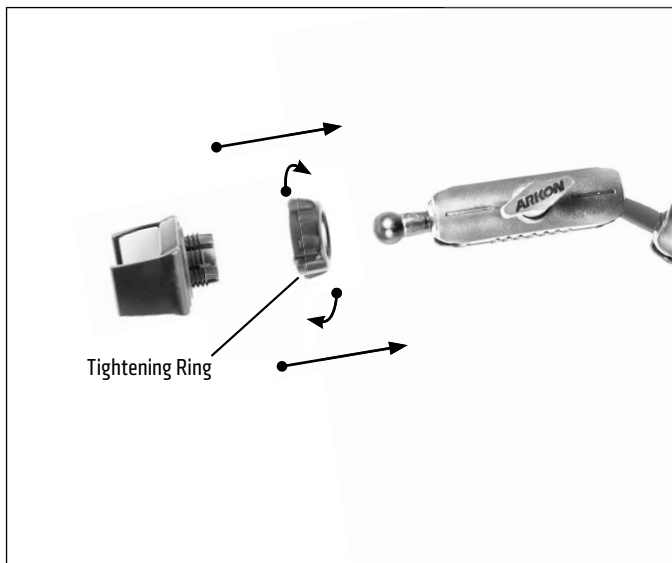
1 Insert pole into base.



2 Attach overhead arm assembly by unscrewing the collar at the top of the pole until the metal ball side of the overhead arm assembly fits into the collar. Tighten collar clockwise to secure.



3 Unscrew tightening ring from holder. Place ring over the 17mm end of mount then snap the holder onto the ball. Set to desired position, then tighten ring.



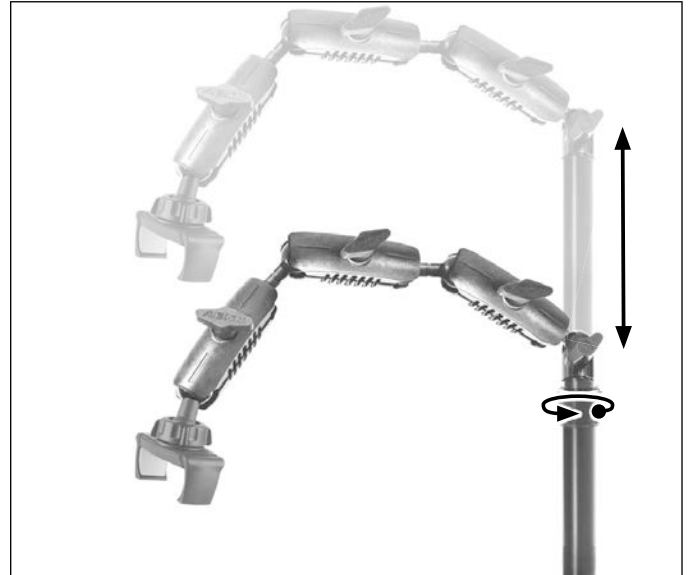
4 Using two hands, insert phone into the holder by pushing the device into one of the spring-loaded support arms. Expand the other support arm and fully insert device.



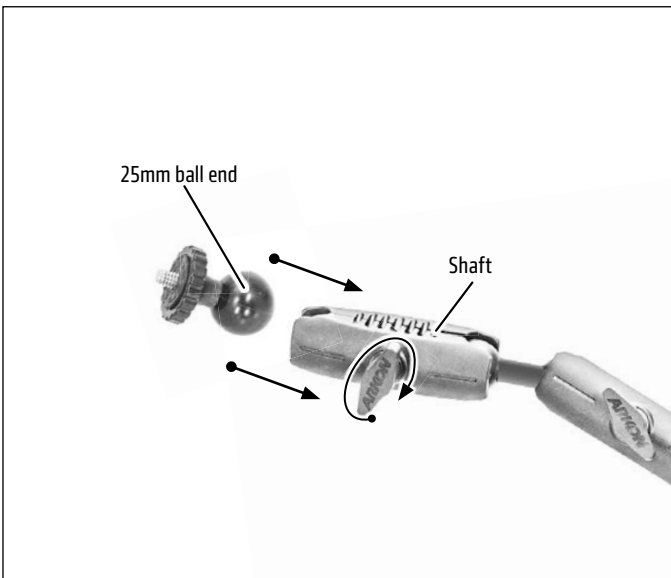
- 5** Shafts can be adjusted by unscrewing the shafts' knobs to loosen. Tighten knobs to set.



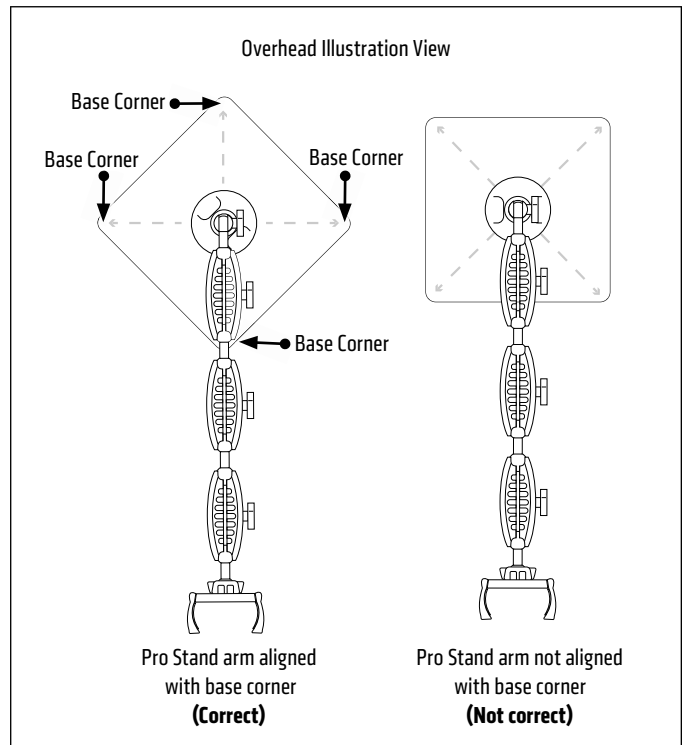
- 6** Adjust the height of the pole by loosening the adjustment collar counterclockwise. Tighten clockwise to set height.



- 7** To attach optional camera/pico projector adapter, unscrew shaft knob and remove phone holder, ring, and ball adapter. Attach the 25mm ball end of the camera adapter to the shaft and tighten clockwise to secure.



- 8** To maintain stability and to prevent tipping when used in the overhead view position, position the 3-shaft top arm assembly out over one of the four corners of the weighted base, not out over one of the four sides.



! Safety Precautions
 To maintain stability and to prevent tipping when used in the overhead view position, position the 3-shaft top arm assembly out over one of the four corners of the weighted base, not out over one of the four sides. Always use two hands (one on shaft, and one on base) when carrying. Failure to properly secure the stand's shaft to the base could cause bodily injury or harm. The Arkon Pro Stand is designed for use with smartphones and small cameras. If using heavier devices, be sure to add a counterbalance in order to prevent the stand from falling over. Arkon Resources, Inc. is not responsible for any damages caused to your device or yourself due to the installation or use of this mount.

ARKON MOUNTS
 Consumer Hotline:
 USA (800) 841-0884
 INT'L (626) 254-9005
 Monday - Friday 9 am - 5 pm, PST
 www.arkon.com
 Arcadia, CA 91006 USA
 Designed in USA | Made in Taiwan
 © Copyright 2022 Arkon Resources, Inc.