

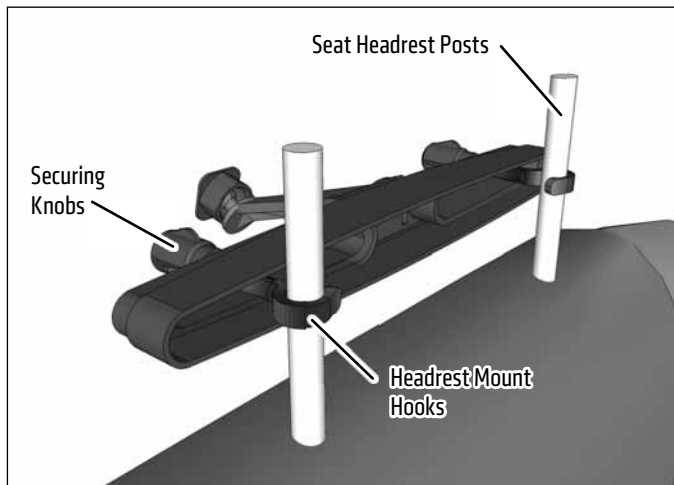
**Package Contents:**

(1) HM007-SBH – Car Headrest Mounting Pedestal with Adjustable Arm

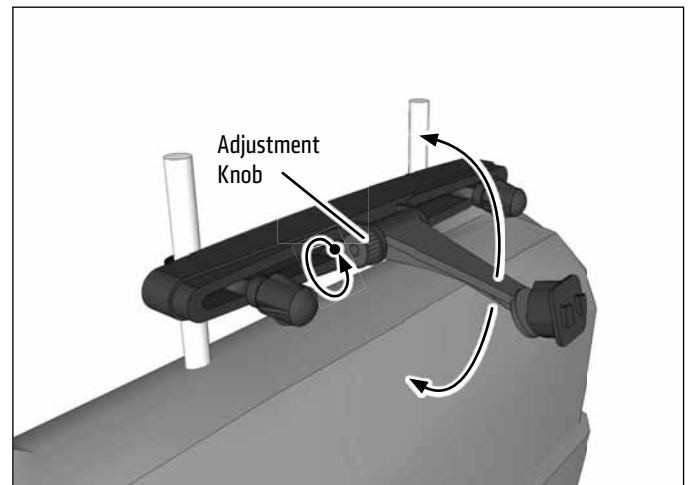


HM007-SBH

- 1 Raise the vehicle's headrest and place the headrest mount hooks around the headrest posts. Tighten the securing knobs.



- 2 Loosen adjustment knob to reposition mount arm. Retighten to set.



**! Safety Precautions**

Do not install Arkon products over an air bag cover or within the air bag deployment zone. Arkon Resources, Inc. assumes no responsibility of liability for injury or death as a result of car crashes and / or air bag deployment.

Arkon is not responsible for any damages caused to your car, your device, or yourself due to the installation or use of this pedestal mount.

**ARKON**  
RESOURCES INC.

*The Mobile Mounting Specialists™*

**Consumer Hotline:**

USA (800) 841-0884

INT'L (626) 254-9005

Monday - Friday 9 am - 5 pm, PST

[www.arkon.com](http://www.arkon.com)

Arcadia, CA 91006 USA

Designed in USA | Made in Taiwan

© Copyright 2016 Arkon Resources, Inc.