

**Package Contents:**

**HD005** – Aluminum Mounting Pedestal with 10" Adjustable Arm

**HM004-B** – Headrest Clamp with 20mm Ball

**RVXL** – RoadVise XL Phone and 7" Tablet Holder with Tightening Ring

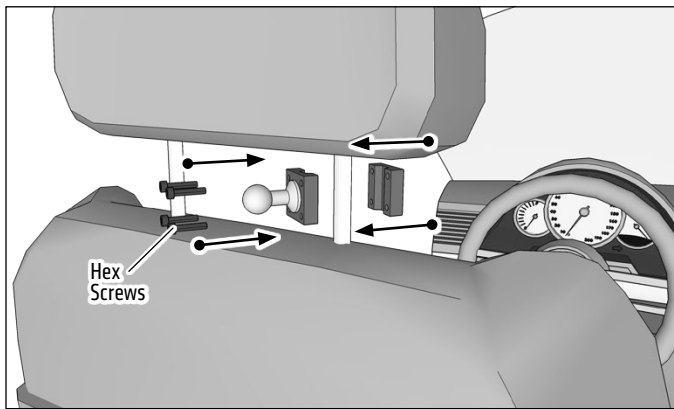
**SP20MM17** – 20mm Ball to 17mm Ball Adapter

Clamp fits .31"-.63" (8mm-16mm) diameter posts.

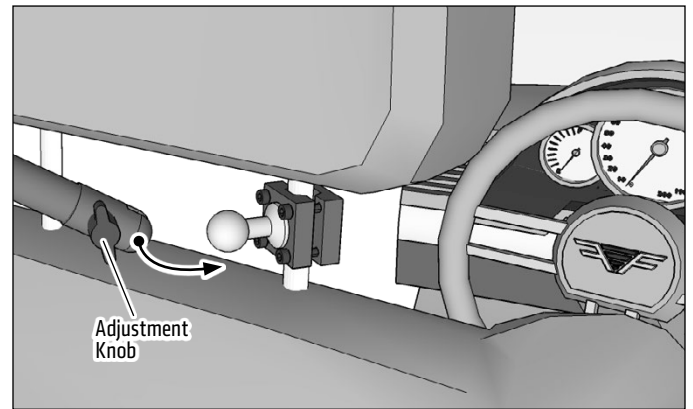
**IMPORTANT:** Clamp may not fit all headrest types. Please consult your vehicle's user manual for compatibility.



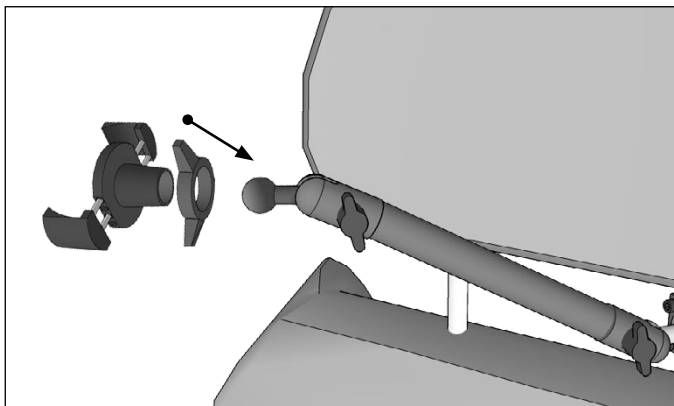
- 1 Place clamp on headrest and use the included hex key to securely tighten the clamp to screw the 4 hex screws to securely mount clamp onto post.



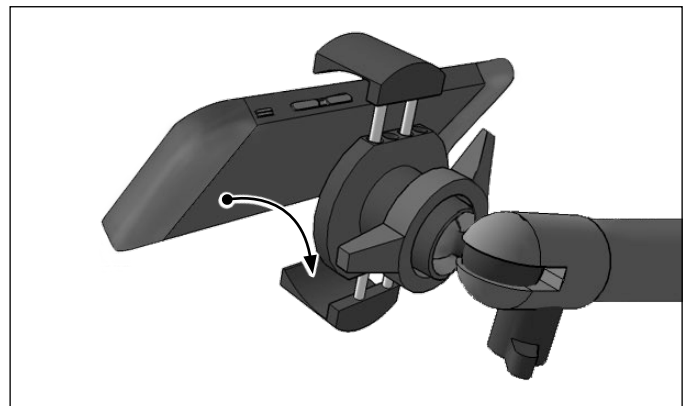
- 2 Loosen the adjustment knob on the pedestal, remove the drill base, and position the pedestal over the mount's ball. Retighten knob and set pedestal to desired angle.



- 3 Attach holder to pedestal and re-tighten ring.



- 4 Using two hands, insert device into the holder by pushing the device into one of the spring-loaded legs. Expand the other leg and fully insert device until it lays flat against the rubber pad.



**Safety Precaution**

Arkon Resources, Inc. is not responsible for any damages caused to your vehicle or yourself due to the installation of this product.

**ARKON**  
RESOURCES INC.

The Mobile Mounting Specialists™

Consumer Hotline:

USA (800) 841-0884

INT'L (626) 254-9005

Monday - Friday 9 am - 5 pm, PST

[www.arkon.com](http://www.arkon.com)

Arcadia, CA 91006 USA

Designed in USA | Made in Taiwan

© Copyright 2017 Arkon Resources, Inc.