

## Includes:

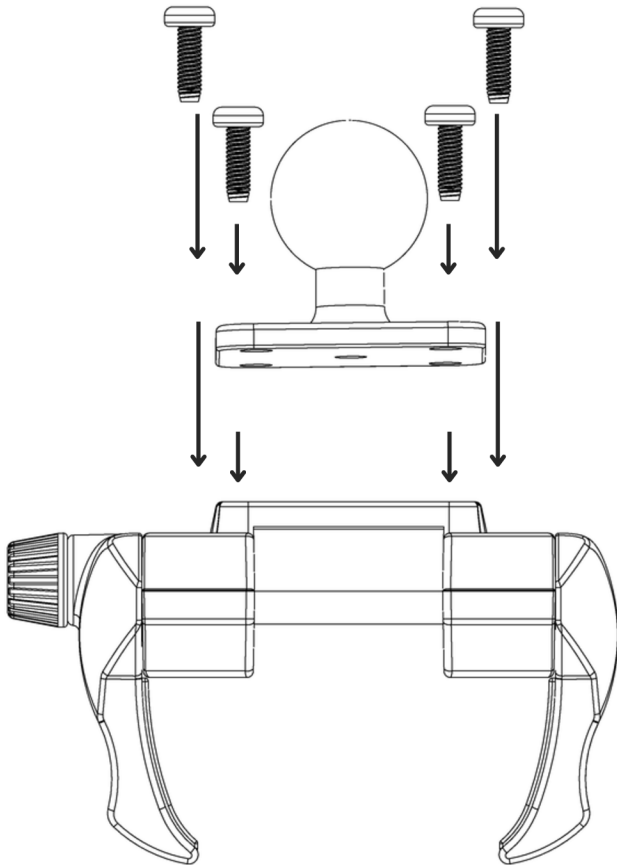
- 1 - RoadVise® Ultra Holder Kit (RVKNAMPS)
- 1 - Metal 4-Hole AMPS to 25mm Ball Adapter (APMAMPS25MM)
- 1 - Robust™ Series 3.75 inch Shaft Arm (SP-RM250)
- 1 - Seat Rail Floor Pedestal with 25mm Ball (RM08825MM)

**Compatibility:** This holder is suitable for smartphones and tablet with cases measuring up to 5.71" wide.

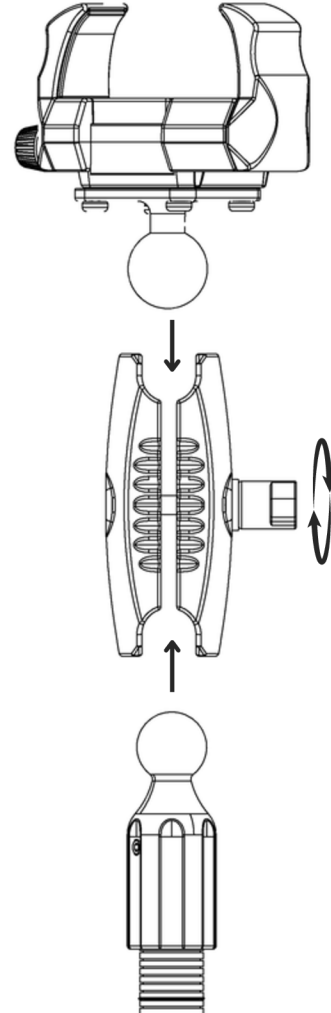
## Seat Rail Kit Hardware Specifications:

- 1 - Metal conduit (SPCONDUIT)
- 1 - Floor mounting bracket
- 4 - Phillips rounded heads screws (18-8 Stainless Steel, M4.2 Screw Size 25mm Long)

**1** **Install the AMPS adapter plate to the device holder**  
Align the AMPS adapter on the back of the device holder. Then, insert the four mounting screws through the AMPS 4-hole ball adapter plate and into the holder. Finally, secure the screws tightly.



**2** **Assemble the components**  
Turn the shaft knob counterclockwise to loosen it. Next, attach the 25mm ball adapters to both ends. Finally, tighten the shaft to secure everything in place.



### WARNING

CHOKING HAZARD - Keep out of reach from children under 8 yrs. as they can choke or suffocate on parts included with this system

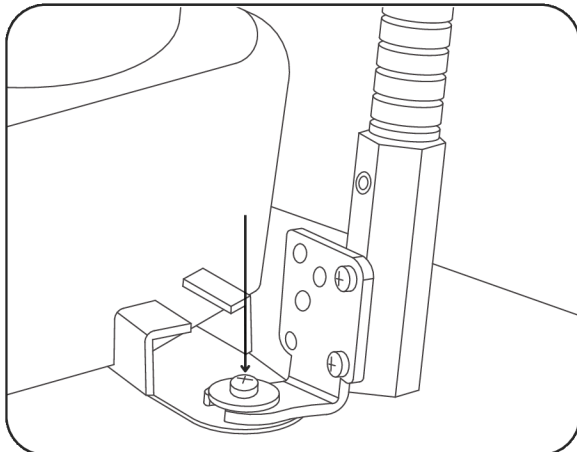
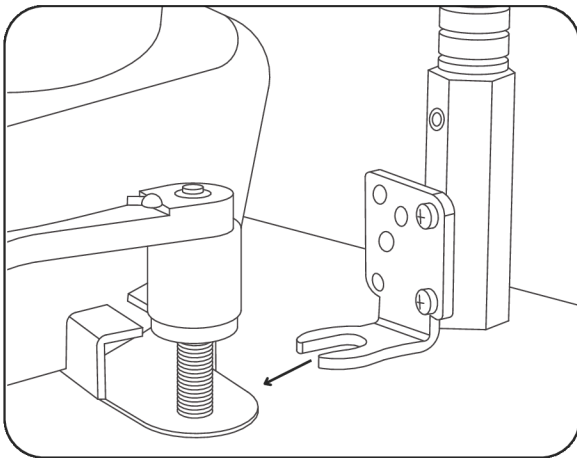
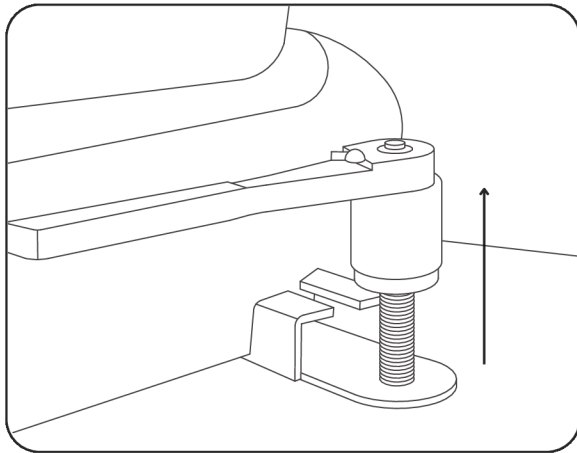
### WARNING

Arkon® is not responsible for any damages caused to your device or yourself due to the installation or use of this mount. Do not install Arkon® products near areas that interfere with operation of vehicles. Arkon® assumes no responsibility or liability for injury or death as a result of failure to install in a safe location. Arkon® is not responsible for any damages caused to vehicles, product, or people due to the installation or use of this product.

Continued on page 2

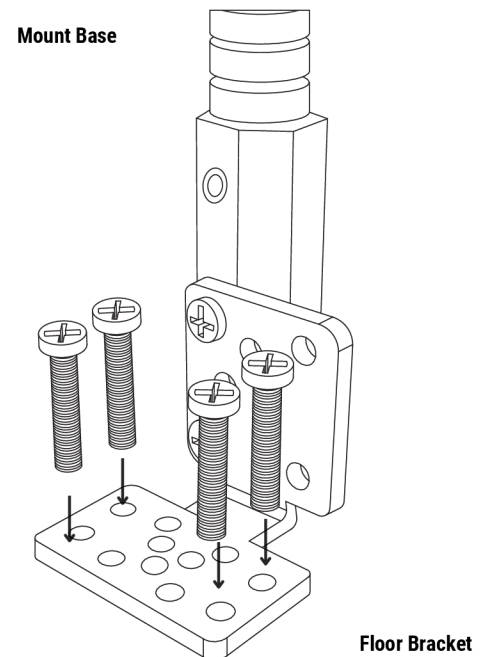
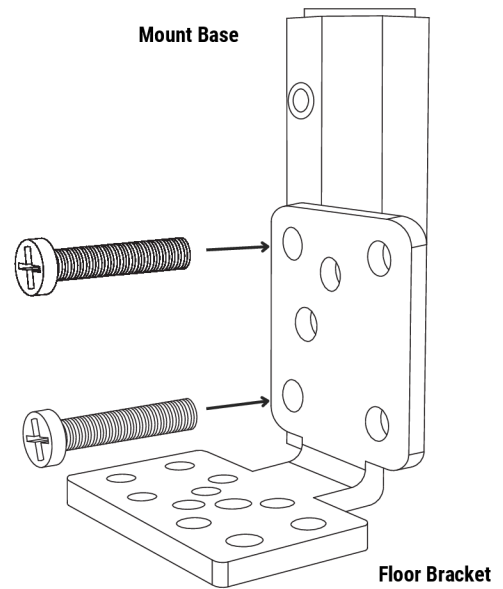
**3 Option 1 - Mounting the Passenger Seat Bolt**

Utilize a socket wrench to loosen the bolt on the passenger seat track. Then, insert the seat track bolt bracket. Finally, tighten the seat track bolt securely.



**4 Option 2 - Floor Mounting**

Fasten the floor bracket to the mount. (Adjust the bracket's orientation as needed for your vehicle). Secure the floor/console bracket in place using screws.



**WARNING**

CHOKING HAZARD - Keep out of reach from children under 8 yrs. as they can choke or suffocate on parts included with this system

**WARNING**

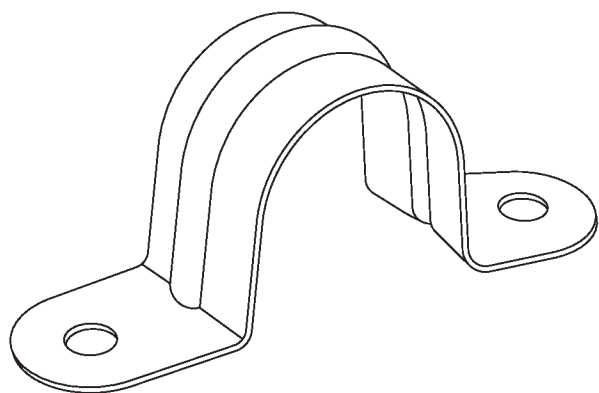
Arkon® is not responsible for any damages caused to your device or yourself due to the installation or use of this mount. Do not install Arkon® products near areas that interfere with operation of vehicles. Arkon® assumes no responsibility or liability for injury or death as a result of failure to install in a safe location. Arkon® is not responsible for any damages caused to vehicles, product, or people due to the installation or use of this product.

Continued on page 3

5

## Optional Step: Metal Conduit

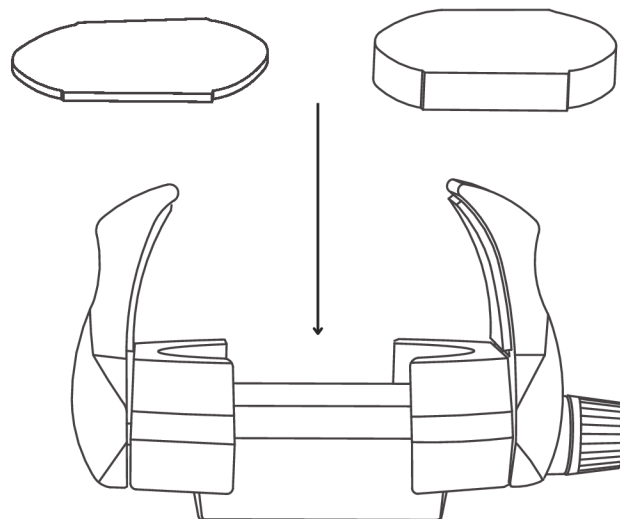
Connect the provided metal conduit to the console to reduce vibration.



6

## Install the foam paddings or adhesive strips

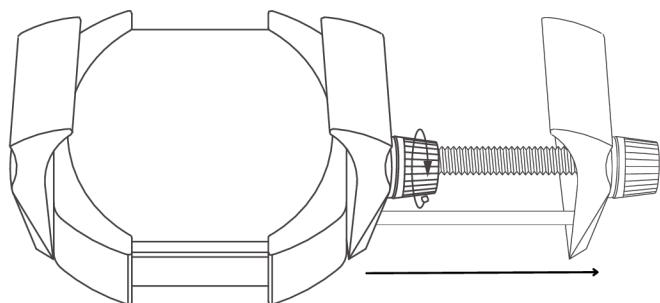
For non-MagSafe chargers, use the included foam paddings for a secure fit in the holder. For MagSafe chargers, apply the adhesive strips on the sides of charger for a secure hold.



7

## Adjust the RoadVise® Ultra holder

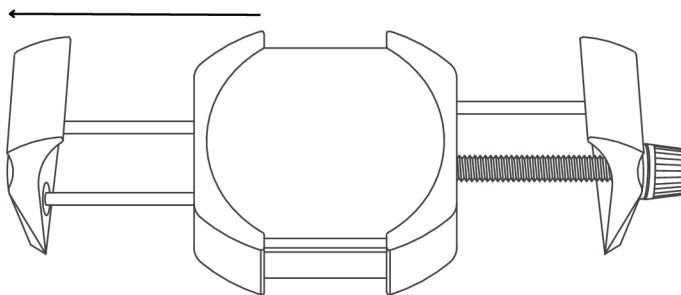
To extend the holder for larger devices, turn the center knob on the holder. This will lock the non-spring loaded arm in a secure position to support your device.



8

## Install your device into the phone holder

Expand the spring-loaded arm as you insert your smartphone.



### WARNING

CHOKING HAZARD - Keep out of reach from children under 8 yrs. as they can choke or suffocate on parts included with this system

### WARNING

Arkon® is not responsible for any damages caused to your device or yourself due to the installation or use of this mount. Do not install Arkon® products near areas that interfere with operation of vehicles. Arkon® assumes no responsibility or liability for injury or death as a result of failure to install in a safe location. Arkon® is not responsible for any damages caused to vehicles, product, or people due to the installation or use of this product.

