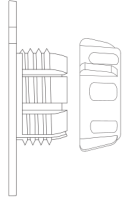
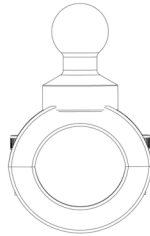


RVKNAMPS



SP-SB-AMPS-KIT



MC2B

Includes:

- 1 - RoadVise® Ultra Phone and Tablet Holder Kit (RVKNAMPS)
- 1 - 17mm Ball to 4-Hole AMPS Adapter with Ring (SP-SB-AMPS-KIT)
- 1 - Handlebar Mount with Spacer Rings - Black Aluminum (MC2B)

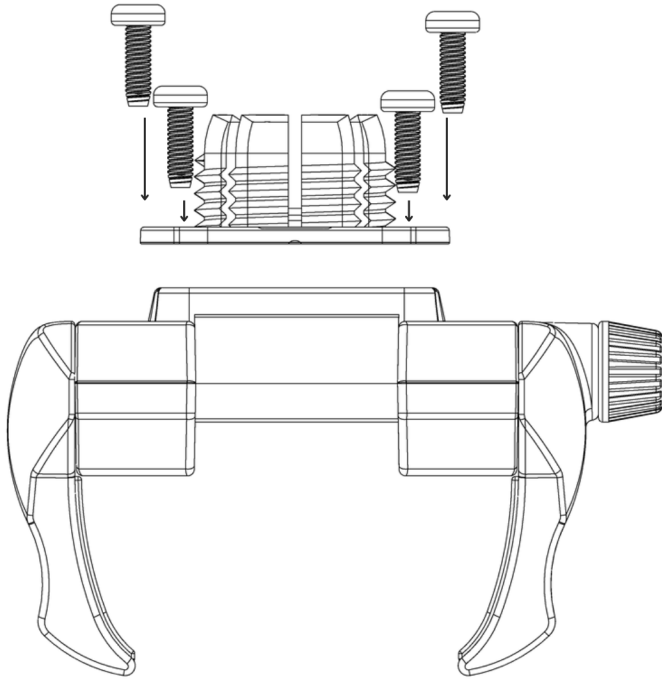
Important: Clean the application surface and make sure it is free of dirt, dust, and grease before installation.

Compatibility: This holder is suitable for smartphones with cases measuring up to 5.71" wide.

1

Install the AMPS Adapter Plate to the phone holder

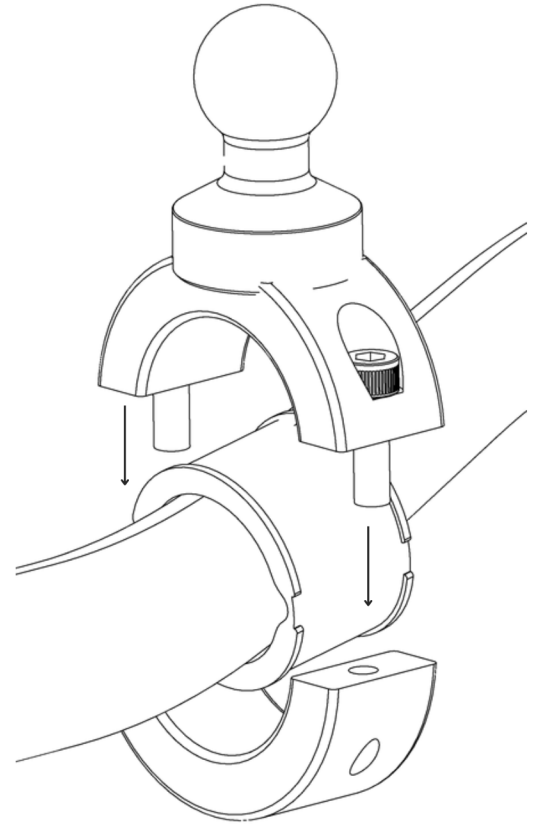
Locate the packaging with the AMPS adapter plate and the phone holder. Then, insert the four mounting screws through the AMPS 4-hole ball adapter plate and into the phone holder. Finally, secure the screws tightly.



2

Installing the Mount

Position a spacer ring that matches your handlebar around the handlebar. Securely fasten the mount over the spacer ring. Utilize the provided hex key to firmly tighten both mounting screws.



WARNING

CHOKING HAZARD - Keep out of reach from children under 8 yrs. as they can choke or suffocate on parts included with this system

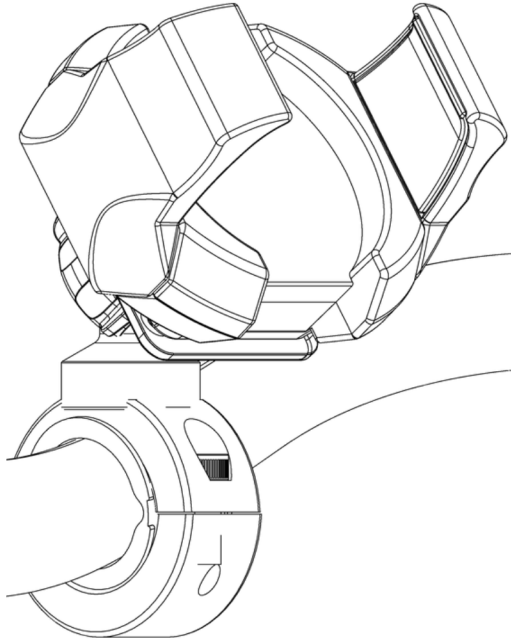
WARNING

Arkon® is not responsible for any damages caused to your device or yourself due to the installation or use of this mount. Do not install Arkon® products near areas that interfere with operation of vehicles. Arkon® assumes no responsibility or liability for injury or death as a result of failure to install in a safe location. Arkon® is not responsible for any damages caused to vehicles, product, or people due to the installation or use of this product.

Continued on page 2

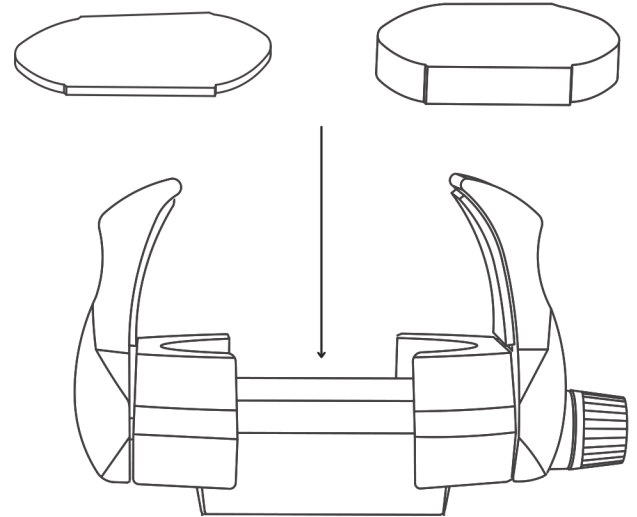
3 Assemble the components

Position the tightening ring over the 17mm ball on the handlebar. Attach the phone holder onto the 17mm ball. Finally, tighten the ring to secure the connection.



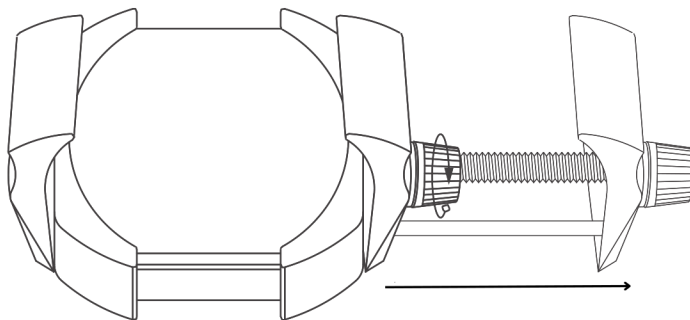
4 Install the foam paddings or adhesive strips

For non-MagSafe chargers, use the included foam paddings for a secure fit in the holder. For MagSafe chargers, apply the adhesive strips on the sides of charger for a secure hold.



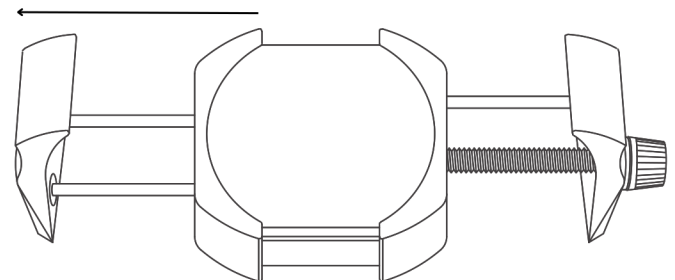
5 Adjust the RoadVise® Ultra holder

To extend the holder for larger devices, turn the center knob on the holder. This will lock the non-spring loaded arm in a secure position to support your device.



6 Install your device into the phone holder

Expand the spring-loaded arm as you insert your smartphone.



WARNING

CHOKING HAZARD - Keep out of reach from children under 8 yrs. as they can choke or suffocate on parts included with this system

WARNING

Arkon® is not responsible for any damages caused to your device or yourself due to the installation or use of this mount. Do not install Arkon® products near areas that interfere with operation of vehicles. Arkon® assumes no responsibility or liability for injury or death as a result of failure to install in a safe location. Arkon® is not responsible for any damages caused to vehicles, product, or people due to the installation or use of this product.

