

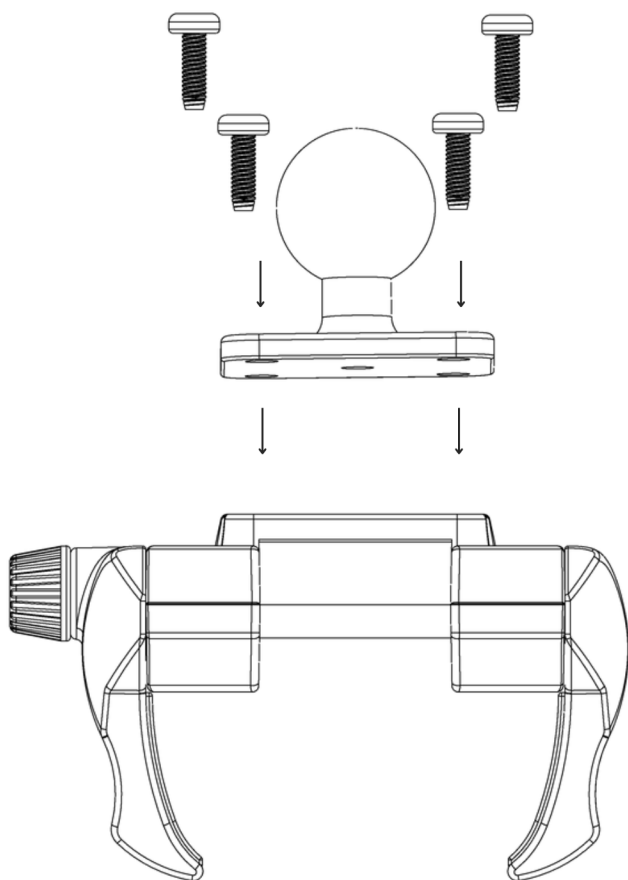
Includes:

- 1 - RoadVise® Ultra Phone Holder Kit (RVKNAMPS)
- 1 - Metal 20mm ball with AMPS Adapter (APMAMPS20MM)
- 1 - Aluminum Motorcycle Handlebar Pedestal - 20mm Compatible (MC4B)

Compatibility: This holder is suitable for smartphones with cases measuring up to 5.71" wide.

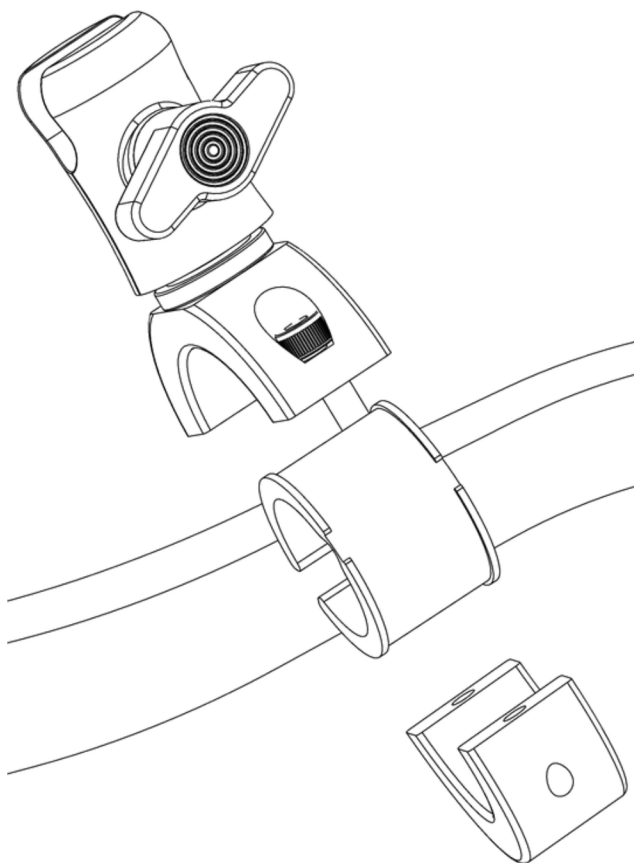
1 Install the AMPS Adapter Plate to the RoadVise® Ultra Phone Holder

Locate the packaging with the AMPS ball adapter plate and the phone holder. Then, insert the four mounting screws through the AMPS 4-hole ball adapter plate and into the phone holder. Finally, secure the screws tightly.



2 Installing the Mount

Position a spacer ring that matches your handlebar around the handlebar. Securely fasten the mount over the spacer ring. Utilize the provided hex key to firmly tighten both mounting screws.



WARNING

CHOKING HAZARD - Keep out of reach from children under 8 yrs. as they can choke or suffocate on parts included with this system

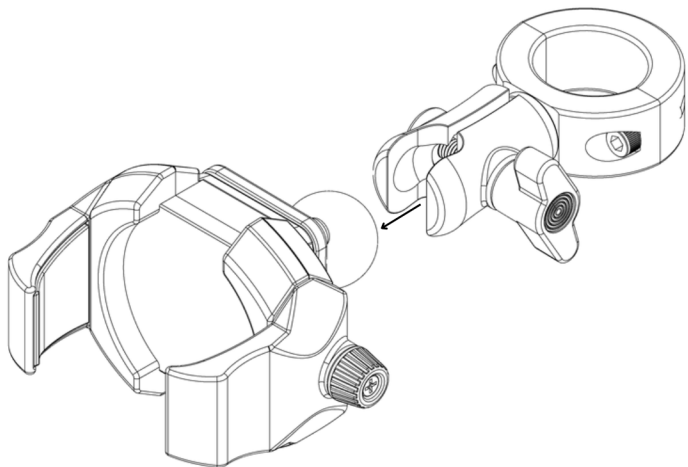
WARNING

Arkon® is not responsible for any damages caused to your device or yourself due to the installation or use of this mount. Do not install Arkon® products near areas that interfere with operation of vehicles. Arkon® assumes no responsibility or liability for injury or death as a result of failure to install in a safe location. Arkon® is not responsible for any damages caused to vehicles, product, or people due to the installation or use of this product.

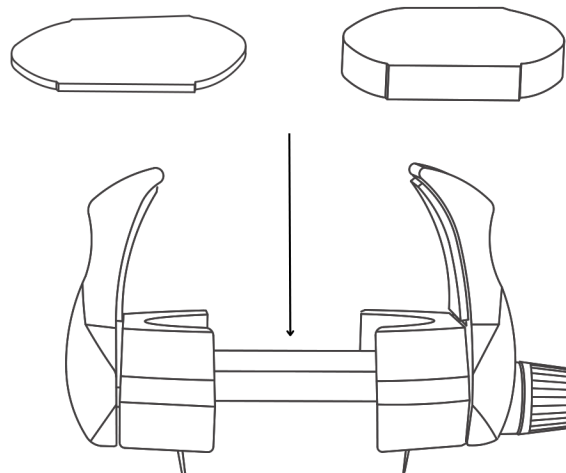
Continued on page 2



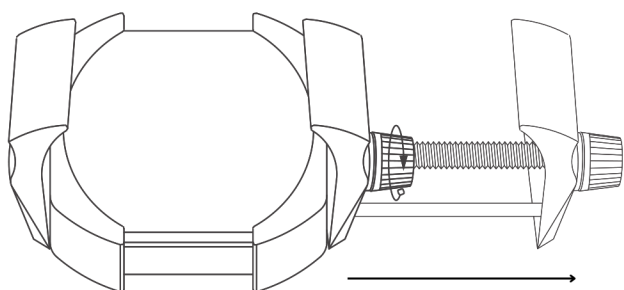
- 3 Assemble the components**
Attach the phone holder to the handlebar mount by inserting the ball adapter into the mount.



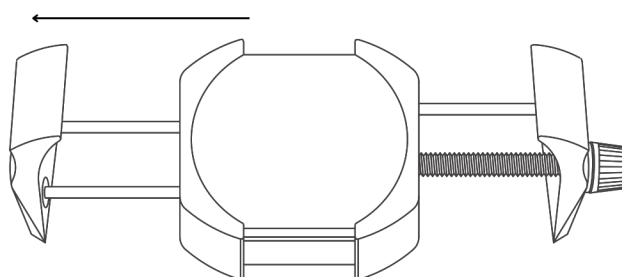
- 4 Install the foam paddings or adhesive strips**
For non-MagSafe chargers, use the included foam paddings for a secure fit in the holder. For MagSafe chargers, apply the adhesive strips on the sides of charger for a secure hold.



- 5 Adjust the RoadVise® Ultra holder**
To extend the holder for larger devices, turn the center knob on the holder. This will lock the non-spring loaded arm in a secure position to support your device.



- 6 Install your device into the phone holder**
Expand the spring-loaded arm as you insert your smartphone.



WARNING

CHOKING HAZARD - Keep out of reach from children under 8 yrs. as they can choke or suffocate on parts included with this system

WARNING

Arkon® is not responsible for any damages caused to your device or yourself due to the installation or use of this mount. Do not install Arkon® products near areas that interfere with operation of vehicles. Arkon® assumes no responsibility or liability for injury or death as a result of failure to install in a safe location. Arkon® is not responsible for any damages caused to vehicles, product, or people due to the installation or use of this product.

