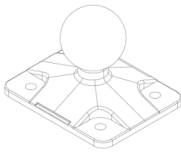
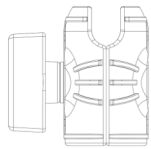


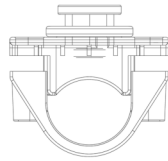
RVKNAMPS



APAMPS25MM



SPRM8SKT



MC8B

Includes:

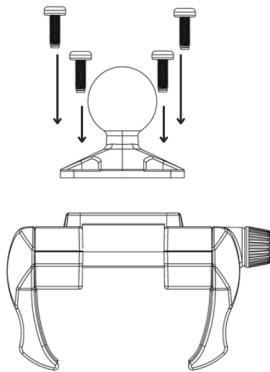
- 1 - RoadVise® Ultra Phone and Tablet Holder Kit (RVKNAMPS)
- 1 - OCTO™ Series Octagon Button - 25mm Compatible (SPRM8SKT)
- 1 - 4-Hole AMPS to 25mm Ball Adapter (APAMPS25MM)
- 1 - OCTO™ Series Handlebar Mount (MC8B)

Important: Clean the application surface and make sure it is free of dirt, dust, and grease before installation.

Compatibility: This holder is suitable for smartphones with cases measuring up to 5.71" wide.

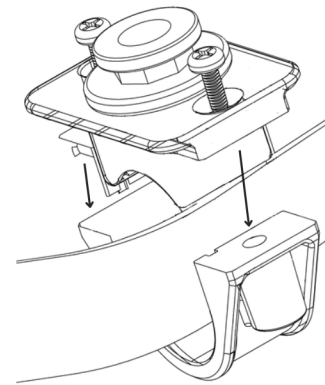
1 Install the AMPS adapter plate to the device holder

Align the AMPS adapter on the back of the device holder. Then, insert the four mounting screws through the AMPS 4-hole ball adapter plate and into the device holder. Finally, secure the screws tightly.



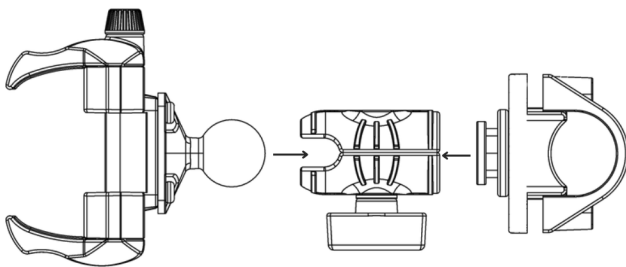
2 Installing the Mount

Remove the screws to position it over the handlebar. After placing it on the handlebar, reinsert the screws and tighten them accordingly.



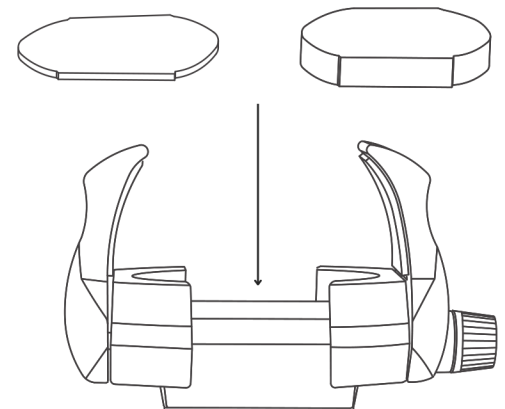
3 Assemble the components

Turn the shaft arm counterclockwise to loosen it. Then, connect the 25mm ball adapter to one end and the button pattern to the other end. Lastly, tighten the shaft to ensure everything is securely in position.



4 Install the foam paddings or adhesive strips

For non-MagSafe chargers, use the included foam paddings for a secure fit in the holder. For MagSafe chargers, apply the adhesive strips on the sides of charger for a secure hold.



WARNING

CHOKING HAZARD - Keep out of reach from children under 8 yrs. as they can choke or suffocate on parts included with this system

WARNING

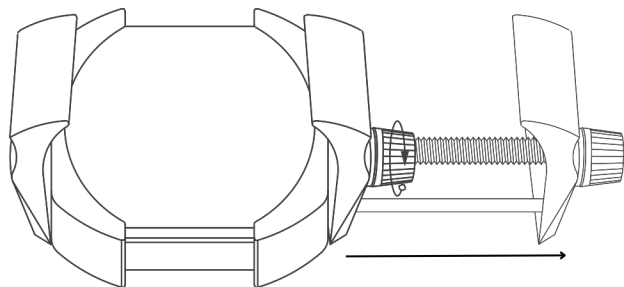
Arkon® is not responsible for any damages caused to your device or yourself due to the installation or use of this mount. Do not install Arkon® products near areas that interfere with operation of vehicles. Arkon® assumes no responsibility or liability for injury or death as a result of failure to install in a safe location. Arkon® is not responsible for any damages caused to vehicles, product, or people due to the installation or use of this product.

Continued on page 2

5

Adjust the device holder

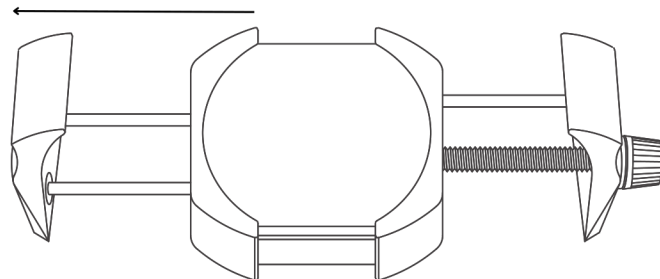
To extend the holder for larger devices, turn the center knob on the holder. This will lock the non-spring loaded arm in a secure position to support your device.



6

Install your device into the device holder

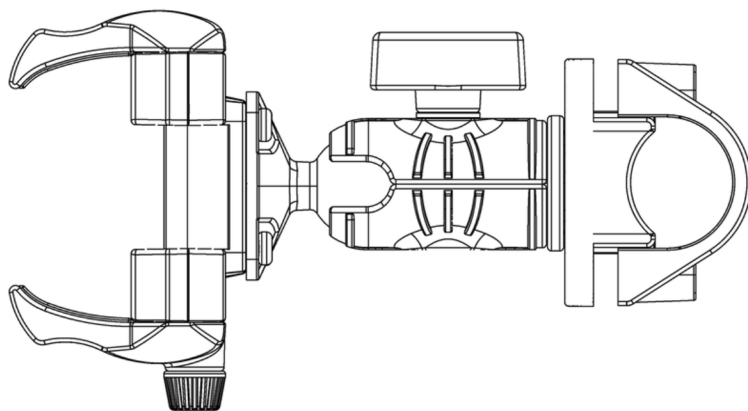
Expand the spring-loaded arm as you insert your smartphone.



7

Fully Assembled

Refer to the image below for the full assembled product.



WARNING

CHOKING HAZARD - Keep out of reach from children under 8 yrs. as they can choke or suffocate on parts included with this system

WARNING

Arkon® is not responsible for any damages caused to your device or yourself due to the installation or use of this mount. Do not install Arkon® products near areas that interfere with operation of vehicles. Arkon® assumes no responsibility or liability for injury or death as a result of failure to install in a safe location. Arkon® is not responsible for any damages caused to vehicles, product, or people due to the installation or use of this product.

