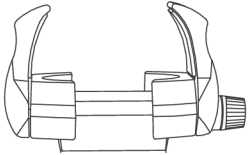
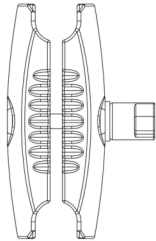


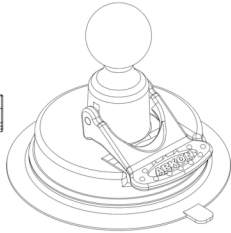
APAMPS25MM



RVKNAMPS



SP-RM250



SPRM081

## Includes:

- 1 - RoadVise® Ultra Holder Kit (RVKNAMPS)
- 1 - 4-Hole AMPS to 25mm Ball Adapter (APAMPS25MM)
- 1 - Robust™ Series 3.75 inch Shaft Arm (SP-RM250)
- 1 - Windshield Suction Base to 25mm Ball (SPRM081)

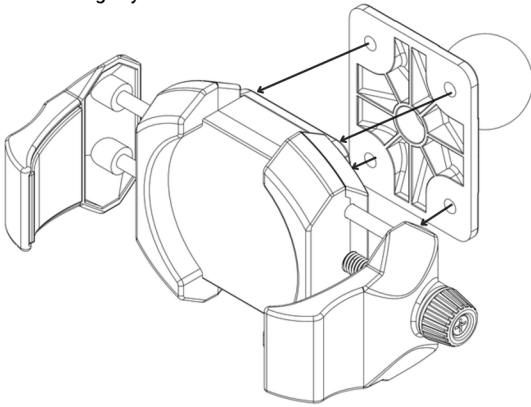
**Please note that screws are not included.**

**Compatibility:** This holder is suitable for smartphones and tablet with cases measuring up to 5.71" wide.

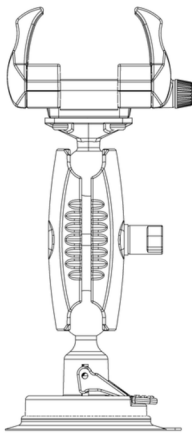
**Please note the RVKNAMPS hardware specifications:**

- 4 - M4 x 12mm Screws
- 2 - 3M Adhesive Strips
- 2 - Foam Pads

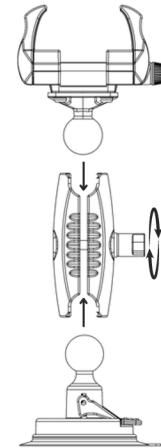
- 1 Install the AMPS adapter plate to the device holder**  
Align the AMPS adapter on the back of the device holder. Then, insert the four mounting screws through the AMPS 4-hole ball adapter plate and into the holder. Finally, secure the screws tightly.



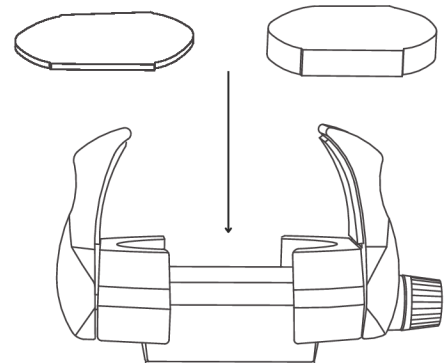
- 3 Fully Assembled**  
Refer to the image below for the full assembled product.



- 2 Assemble the components**  
Turn the knob counterclockwise to loosen it. Next, attach the 25mm ball adapters to both ends. Finally, tighten the knob to secure everything in place.



- 4 Install the foam paddings or adhesive strips**  
For non-MagSafe chargers, use the included foam paddings for a secure fit in the holder. For MagSafe chargers, apply the adhesive strips on the sides of charger for a secure hold.



### WARNING

CHOKING HAZARD - Keep out of reach from children under 8 yrs. as they can choke or suffocate on parts included with this system

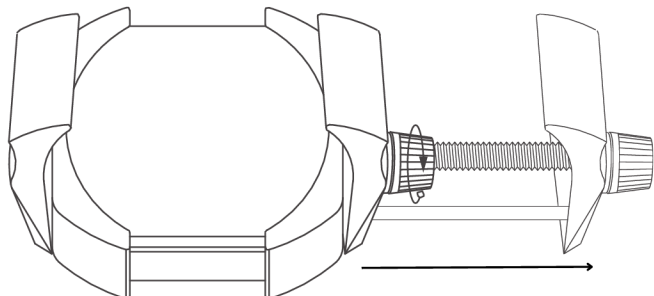
### WARNING

Arkon® is not responsible for any damages caused to your device or yourself due to the installation or use of this mount. Do not install Arkon® products near areas that interfere with operation of vehicles. Arkon® assumes no responsibility or liability for injury or death as a result of failure to install in a safe location. Arkon® is not responsible for any damages caused to vehicles, product, or people due to the installation or use of this product.

Continued on page 2

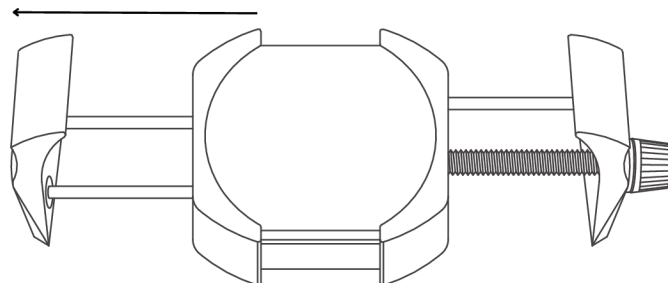
## 5 Adjust the RoadVise® Ultra holder

To extend the holder for larger devices, turn the center knob on the holder. This will lock the non-spring loaded arm in a secure position to support your device.



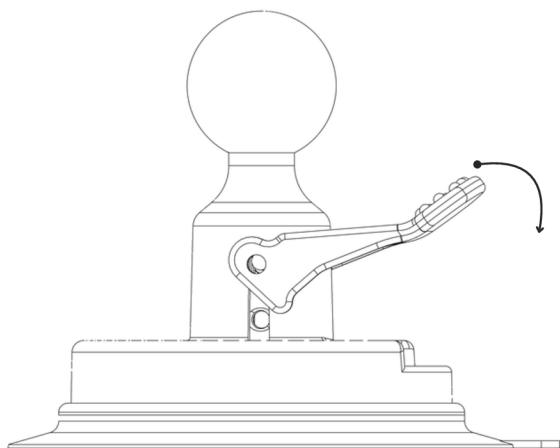
## 6 Install your device into the phone holder

Expand the spring-loaded arm as you insert your smartphone.



## 7 Remove the protective film from the mounting base

Utilize the alcohol pad provided to clean the surface thoroughly and let it dry. Peel off the clear protective sheet from the base, then firmly press the suction cup base onto the surface. Secure the suction cup in place by flipping the lever downward to lock it.



### WARNING

CHOKING HAZARD - Keep out of reach from children under 8 yrs. as they can choke or suffocate on parts included with this system

### WARNING

Arkon® is not responsible for any damages caused to your device or yourself due to the installation or use of this mount. Do not install Arkon® products near areas that interfere with operation of vehicles. Arkon® assumes no responsibility or liability for injury or death as a result of failure to install in a safe location. Arkon® is not responsible for any damages caused to vehicles, product, or people due to the installation or use of this product.

