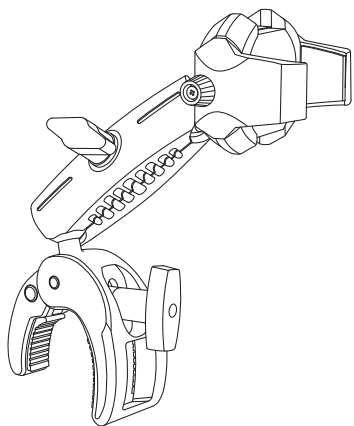


## KNRMCPM



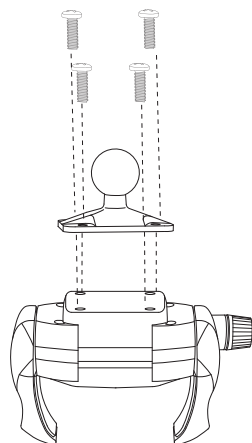
### Includes:

- 1 – Manual
- 1 – RoadVise® Ultra Phone and Tablet Holder (RVKNAMPS)
- 1 – 4-hole AMPS to 25mm Ball Adapter (APAMPS25MM)
- 1 – Robust™ Series 3.75 inch Composite Shaft (SP-RM250)
- 1 – Robust™ Clamp Mount with Security Knob (CPM01B)

*Important: Clean the application surface and make sure it is free of dirt, dust, and grease before installing the mounting hardware.*

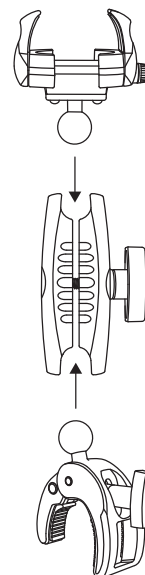
### 1 Install the RoadVise® Ultra phone holder to the 4-hole AMPS to 25mm ball adapter mount

To begin the installation, find the packaging with the 4-hole AMPS to 25mm ball adapter plate and the RoadVise phone holder, which includes foam padding and installation hardware. Next, attach the four mounting screws by inserting them through the 4-hole AMPS to 25mm ball adapter plate and into the phone holder.



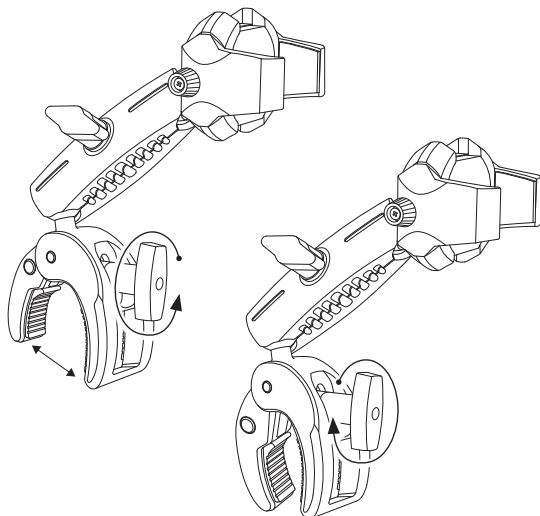
### 2 Assemble the components

Locate the clamp mount and shaft arm. Loosen the knob to allow the ball adapters to insert into the shaft arm by turning it counterclockwise. Insert the ball mounts to either end of the shaft arm and turn the knob clockwise to tighten.



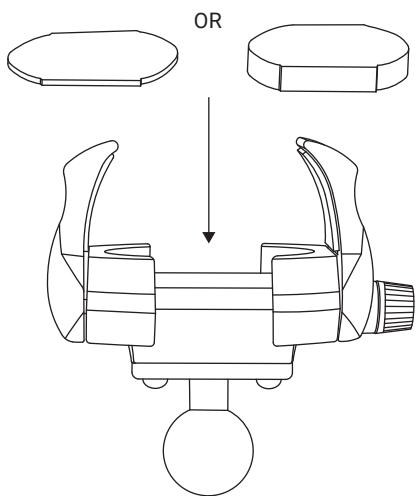
### 3 How to adjust the Robust™ Clamp Mount

Turn the knob on the clamp mount counterclockwise to expand the clamp arms to your desired width. Expand the arms by gently pulling them apart. Mount to your application surface and tighten the knob clockwise to secure.



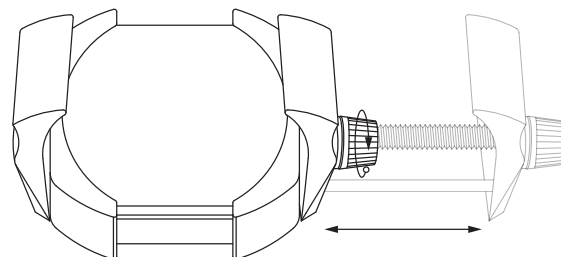
## 4 Optional - Installing the foam padding if not using a MagSafe charger

Locate the packaging that includes the foam padding with adhesive strips. Apply the adhesive strips to the back of the foam pad and insert into the phone holder cavity.



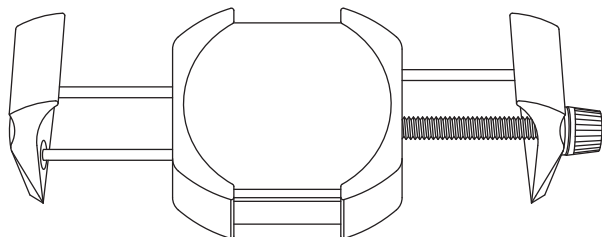
## 5 Adjust the RoadVise phone holder

To extend the phone holder for larger devices, turn the center knob on the holder. This will lock the non-spring-loaded arm in a secure position to support your device.



## 6 Install a device into the RoadVise phone holder

To install your device, start by extending the spring-loaded arm. Then, position your device securely against the non-spring-loaded arm and rest it on the holder platform. Finally, release the spring-loaded arm to secure your device firmly in place.



### WARNING

CHOKING HAZARD - Keep out of reach from children under 8 yrs. as they can choke or suffocate on parts included with this system

### WARNING

Arkon® is not responsible for any damages caused to your device or yourself due to the installation or use of this mount. Do not install Arkon® products near areas that interfere with operation of vehicles. Arkon® assumes no responsibility or liability for injury or death as a result of failure to install in a safe location. Arkon® is not responsible for any damages caused to vehicles, product, or people due to the installation or use of this product.

