

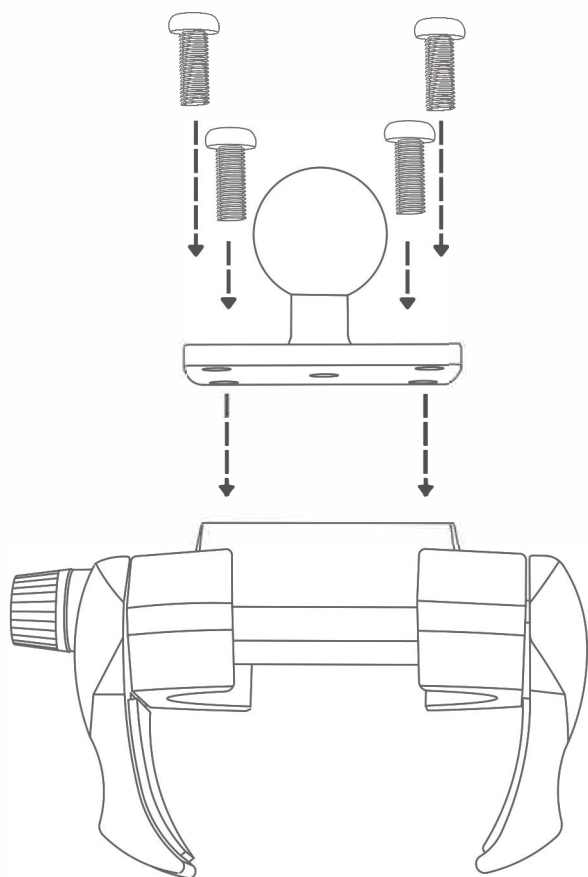
Includes:

- 1 – RoadVise® Ultra Phone Holder Kit (RVKNAMPS)
- 2 – Metal 4-Hole AMPS to 25mm Ball Adapter (APMAMPS25MM)
- 1 – OCTO™ Series 4.25 inch Double Swivel Shaft Arm (SPRMSWA)

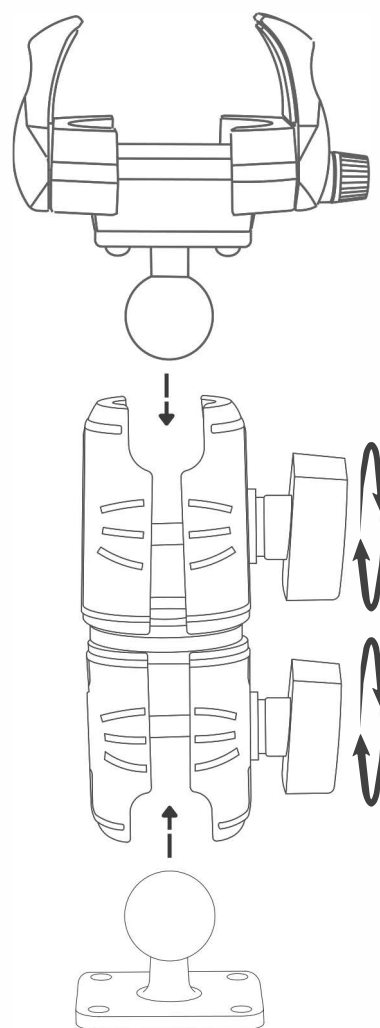
Please note that screws are not included with the drill base adapter.

Compatibility: This holder is suitable for smartphones with cases measuring up to 5.71" wide.

1 **Install the AMPS Adapter Plate to the Phone Holder**
 Locate the packaging with the AMPS ball adapter plate and the phone holder. Then, insert the four mounting screws through the AMPS 4-hole ball adapter plate and into the phone holder. Finally, secure the screws tightly.



2 **Assemble the components**
 Turn the shaft knobs counterclockwise to loosen it. Next, attach the 25mm ball adapters to both ends. Finally, tighten the shaft to secure everything in place.



WARNING

CHOKING HAZARD - Keep out of reach from children under 8 yrs. as they can choke or suffocate on parts included with this system

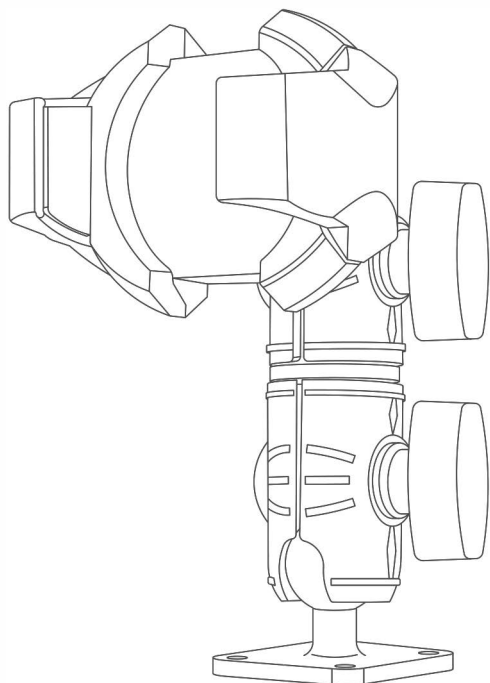
WARNING

Arkon® is not responsible for any damages caused to your device or yourself due to the installation or use of this mount. Do not install Arkon® products near areas that interfere with operation of vehicles. Arkon® assumes no responsibility or liability for injury or death as a result of failure to install in a safe location. Arkon® is not responsible for any damages caused to vehicles, product, or people due to the installation or use of this product.

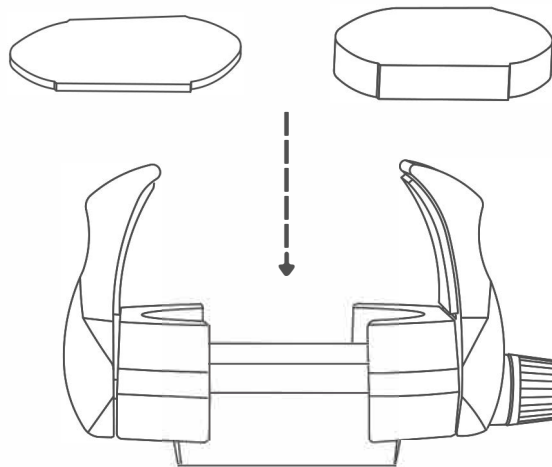
Continued on page 2



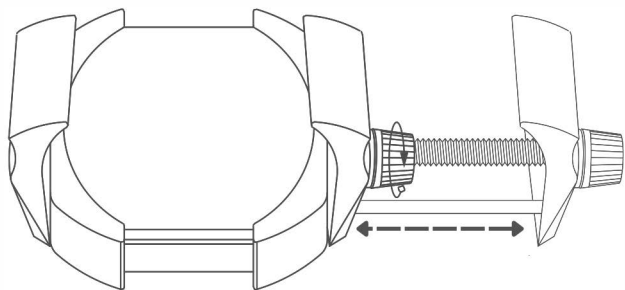
3 Fully Assembled
Refer to the image below for the full assembled product.



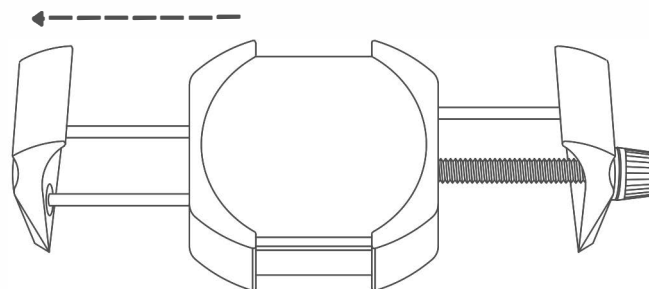
4 Install the foam paddings or adhesive strips
For non-MagSafe chargers, use the included foam paddings for a secure fit in the holder. For MagSafe chargers, apply the adhesive strips on the sides of charger for a secure hold.



5 Adjust the RoadVise® Ultra phone holder
To extend the phone holder for larger devices, turn the center knob on the holder. This will lock the non-spring loaded arm in a secure position to support your device.



6 Install your device into the phone holder
Expand the spring-loaded arm as you insert your smartphone.



WARNING
CHOKING HAZARD - Keep out of reach from children under 8 yrs. as they can choke or suffocate on parts included with this system

WARNING
Arkon® is not responsible for any damages caused to your device or yourself due to the installation or use of this mount. Do not install Arkon® products near areas that interfere with operation of vehicles. Arkon® assumes no responsibility or liability for injury or death as a result of failure to install in a safe location. Arkon® is not responsible for any damages caused to vehicles, product, or people due to the installation or use of this product.

