

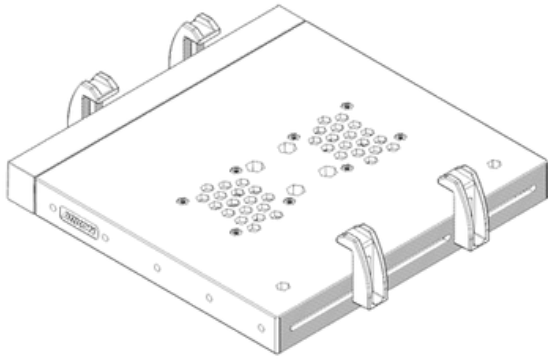
Universal Laptop Holder

Included Components:

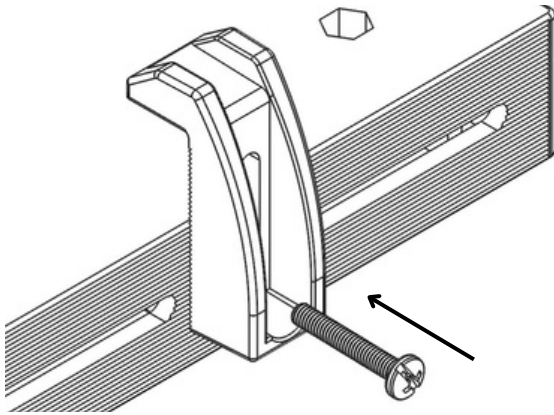
- Laptop Holder Base (Optional: Cooling Fan)
- Standard Support Legs (4x)
- XL Support Legs (4x)

Support Leg Compatibility Recommendations:

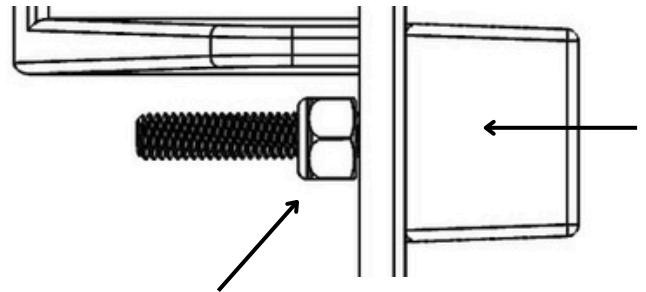
- Use the Standard Support Legs for keyboard heights up to .75" (19.05mm)
- Use the XL Support Legs for keyboard heights up to 2.15" (54.61mm)



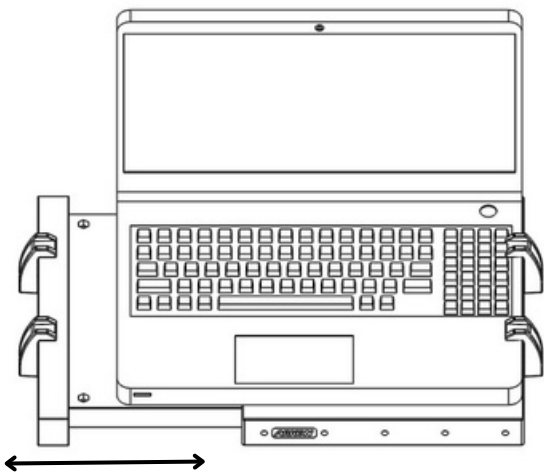
- 1** Align the support leg screw slot and screw slot located on the side of the base. Align the provided screw through both.



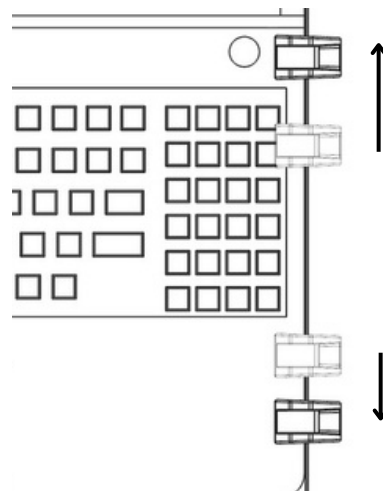
- 2** Once the screw is inserted through both components, place the nut onto the threaded screw located in the cavity underneath the holder base. Loosely tighten the nut and screw. Allowing movement until the laptop holder is in place.



- 3** To install a laptop onto the holder, slide open the spring loaded portion of the tray. Place the laptop onto the platform. Gently guide the spring loaded back to a closed position



- 4** With the laptop positioned as desired, move the support legs so they don't block any keys or buttons.



WARNING

CHOKING HAZARD - Keep out of reach from children under 8 yrs. as they can choke or suffocate on parts included with this system

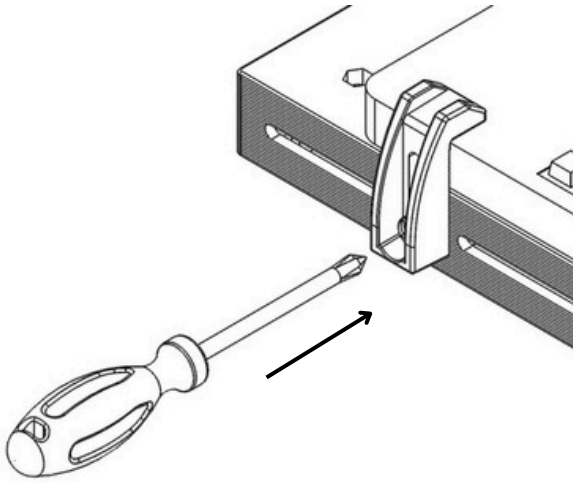
WARNING

Arkon® is not responsible for any damages caused to your device or yourself due to the installation or use of this mount. Do not install Arkon® products near areas that interfere with operation of vehicles. Arkon® assumes no responsibility or liability for injury or death as a result of failure to install in a safe location. Arkon® is not responsible for any damages caused to vehicles, product, or people due to the installation or use of this product.

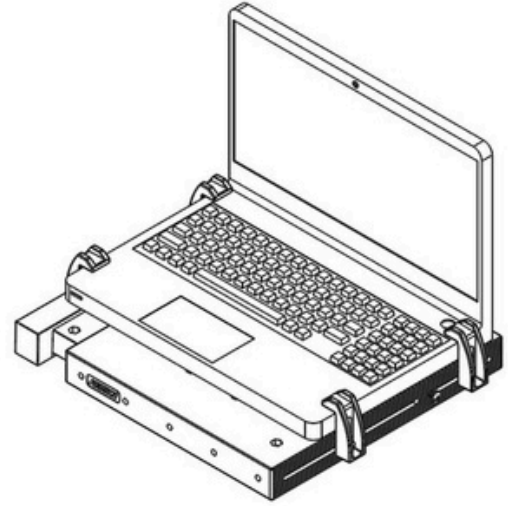


Universal Laptop Holder

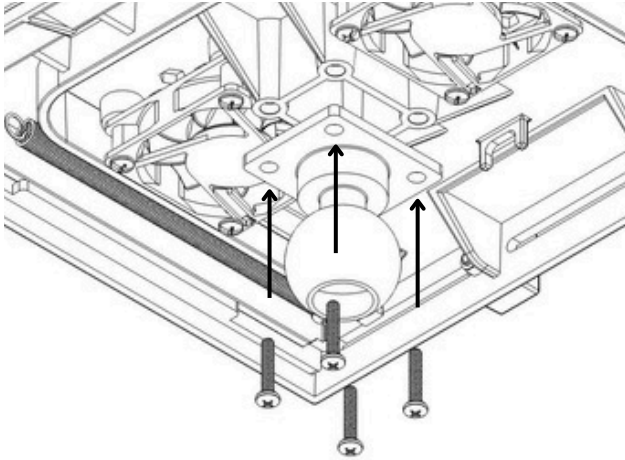
- 5** With the laptop in place, hand-tighten the screw securing the support legs so they remain fixed and hold the laptop securely.



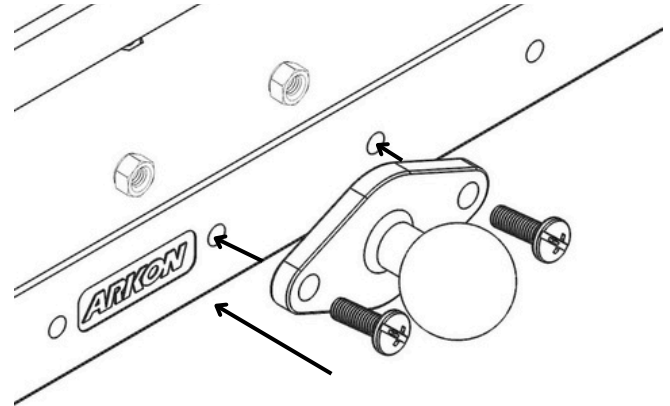
- 6** The laptop holder is now ready for use. Before proceeding with mounting, remove the laptop to prevent damage or injury.



- 7** To mount the laptop holder to an AMPS compatible base, locate the AMPS mounting pattern under the base. Attach an AMPS compatible pedestal or mounting system.



- 8** To use the AMPS-compatible accessory slots, install M5 pan head Phillips screws (0.63" / 16mm), hand tighten only, avoid hex or Torx drives, use a M5 nut, and apply Loctite 242 for permanent or 222 for removable installation.



WARNING

CHOKING HAZARD - Keep out of reach from children under 8 yrs. as they can choke or suffocate on parts included with this system

WARNING

Arkon® is not responsible for any damages caused to your device or yourself due to the installation or use of this mount. Do not install Arkon® products near areas that interfere with operation of vehicles. Arkon® assumes no responsibility or liability for injury or death as a result of failure to install in a safe location. Arkon® is not responsible for any damages caused to vehicles, product, or people due to the installation or use of this product.

