



Package Contents:

MC2C – Motorcycle Handlebar Mounting Pedestal - Chrome

SP-SB-RING – Swivel Adjustment Ring

SP-1420CAM – 1/4"-20 Swivel Ball Head

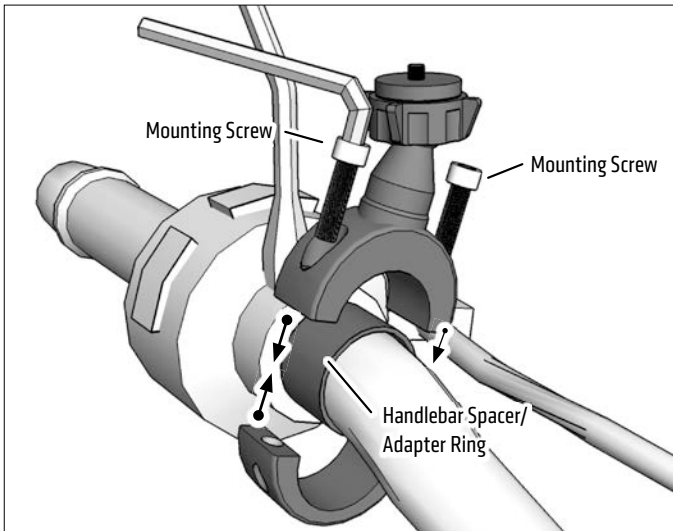
68111-K – Handlebar Spacer Rings

Fits on handlebars and poles .85"-1.2" (21.68mm-30mm) in diameter.

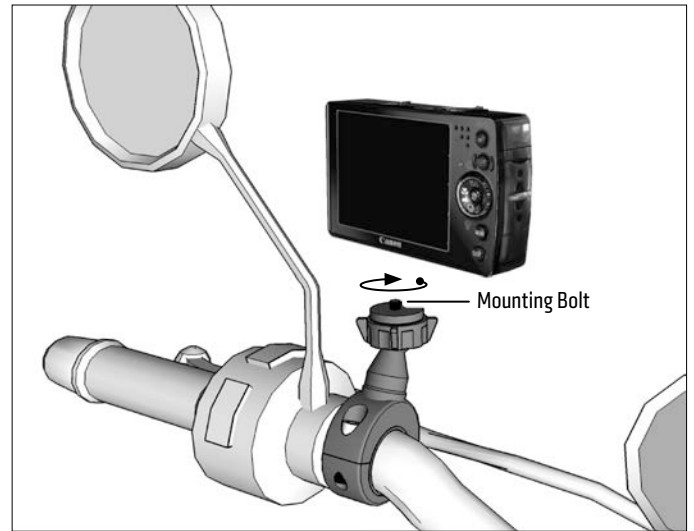
The Premium Motorcycle Mount comes with 3 handlebar spacer/adaptor rings of different sizes. Select the appropriate size for optimum mounting to your handlebar.

Device Compatibility: Small digital cameras with the standard 1/4"-20 camera pattern, including the Sony Action Cam, Sony POV HD Flash Memory Camcorder, Contour ROAM2, JVC ADIXXION, and JVC ADIXXION Cam 2.

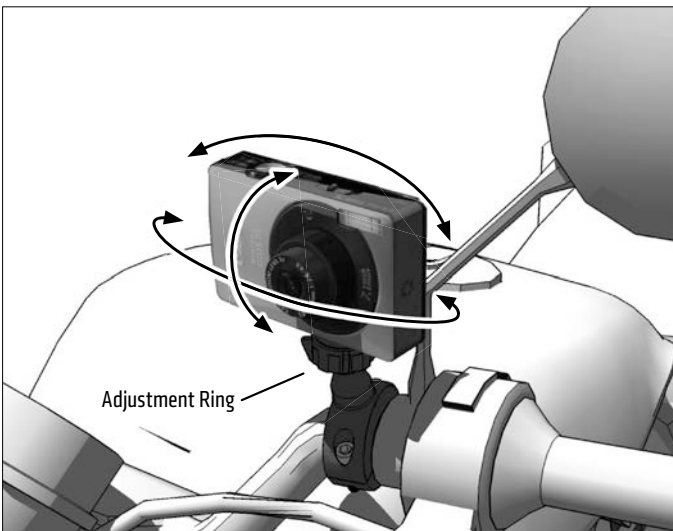
- 1 Place handlebar spacer/adaptor ring around handlebar. Attach mount to handlebar around spacer. Use the included hex key to securely tighten both mounting screws.



- 2 Attach camera by screwing it onto the 1/4"-20 mounting bolt.



- 3 Adjust camera position as desired. Tighten adjustment ring to secure position.



! Safety Precautions
 Arkon is not responsible for any damages caused to your vehicle, your device, or yourself due to the installation or use of this mount.

ARKON MOUNTS

Consumer Hotline:

USA (800) 841-0884

INT'L (626) 254-9005

Monday - Friday 9am - 5pm, PST

www.arkon.com

Arcadia, CA 91006 USA

Designed in USA | Made in USA & China

© Copyright 2021 Arkon Resources, Inc.