



Package Contents:

MC2C – Motorcycle Handlebar Mounting Pedestal - Chrome

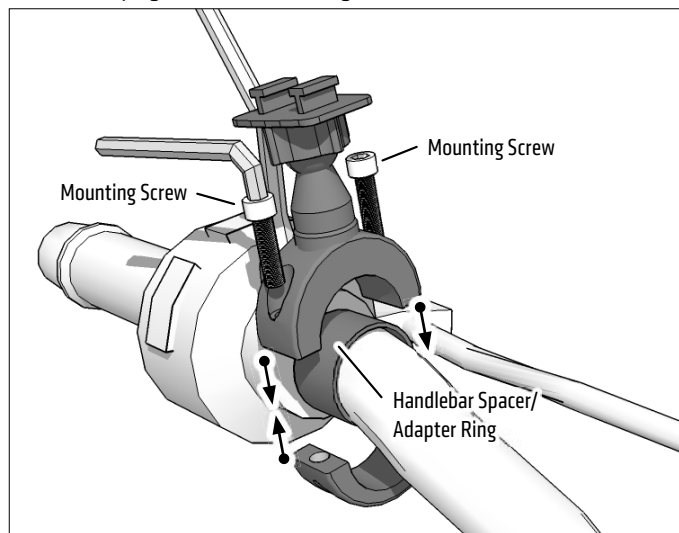
SP-SBH-KIT – Dual T-Tab Head and Adjustment Ring

68111-K – Handlebar Spacer Rings

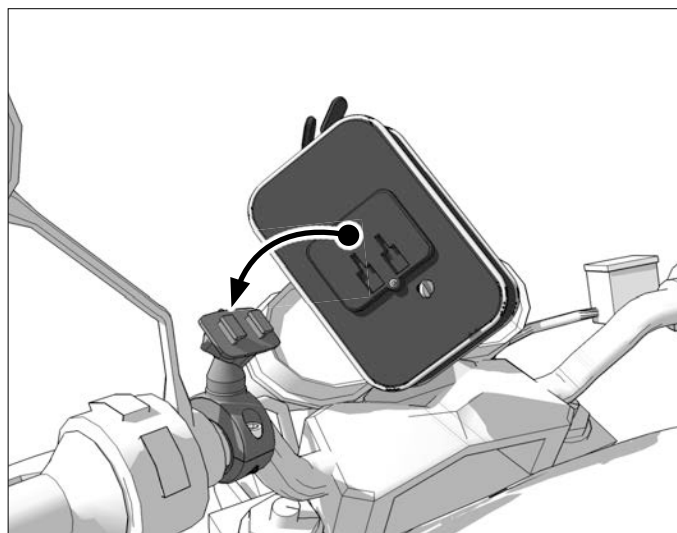
Fits on handlebars and poles .85"-1.2" (21.68mm-30mm) in diameter.

The Premium Motorcycle Mount comes with 3 handlebar spacer/adaptor rings of different sizes. Select the appropriate size for optimum mounting to your handlebar.

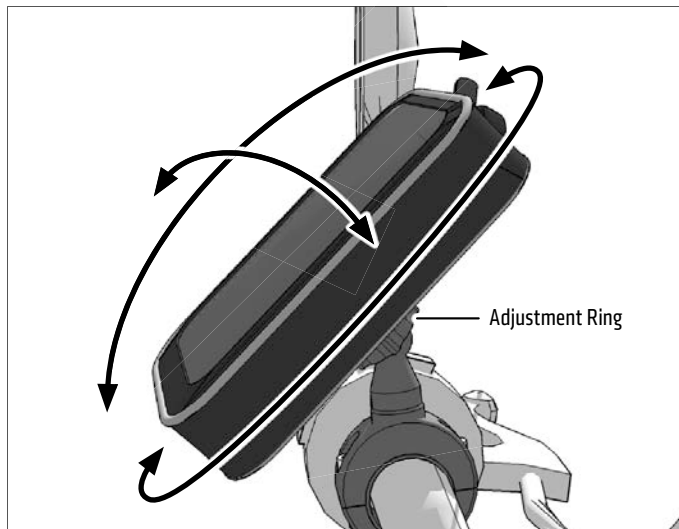
- 1 Place handlebar spacer/adaptor ring around handlebar. Attach mount to handlebar around spacer. Use the included hex key to securely tighten both mounting screws.



- 2 Attach any Dual-T compatible holder (not included, sold separately) to the Dual-T head of the mount.



- 3 Insert device and adjust holder (sold separately, not included) position as desired. Tighten adjustment ring to secure position.



! Safety Precautions
 Arkon is not responsible for any damages caused to your vehicle, your device, or yourself due to the installation or use of this mount.

ARKON® MOUNTS

Consumer Hotline:

USA (800) 841-0884

INT'L (626) 254-9005

Monday - Friday 9am - 5pm, PST

www.arkon.com

Arcadia, CA 91006 USA

Designed in USA | Made in USA

© Copyright 2021 Arkon Resources, Inc.