

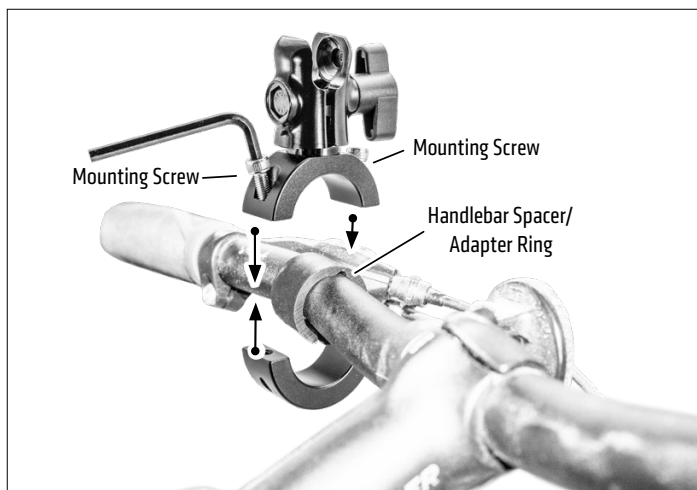


Package Contents:

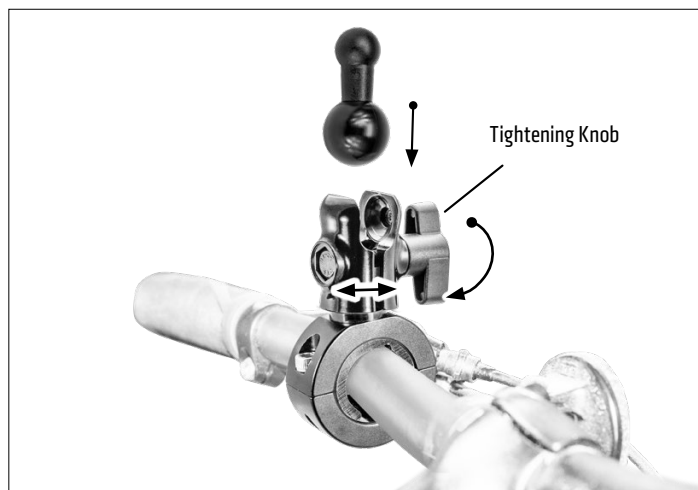
- (1) MC4B01B – Motorcycle Handlebar Mount
- (1) SP20MM17 – 20mm Ball to 17mm Ball Adapter

This Motorcycle Mount fits cylindrical handlebars up to 30mm diameter and comes with 3 handlebar spacer/adapter rings of different widths. Select the appropriate size for optimum mounting to your handlebar.

- 1 Place handlebar spacer/adapter ring around handlebar. Attach mount to handlebar around spacer. Use the included hex key to securely tighten both mounting screws.



- 2 Unscrew tightening knob to attach adapter. Adjust angle, then retighten knob to secure.



! Safety Precautions
 Arkon is not responsible for any damages caused to your vehicle, your device, or yourself due to the installation or use of this mount.

ARKON MOUNTS

Consumer Hotline: www.arkon.com
 USA (800) 841-0884 Arcadia, CA 91006 USA
 INT'L (626) 254-9005 Designed in USA | Made in USA
 Monday - Friday 9am - 5pm, PST © Copyright 2019 Arkon Resources, Inc.