

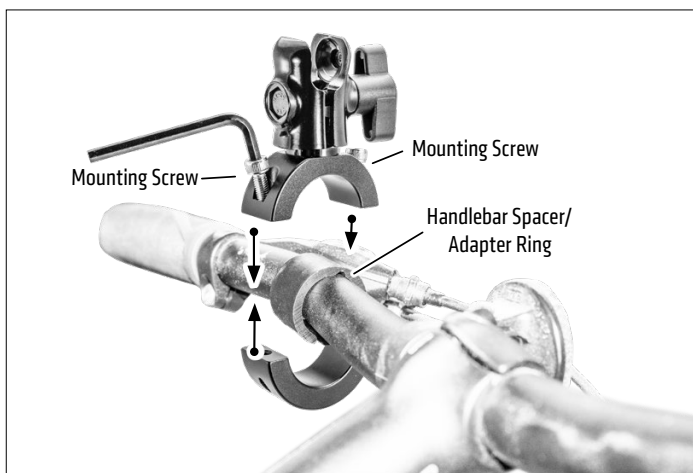


Package Contents:

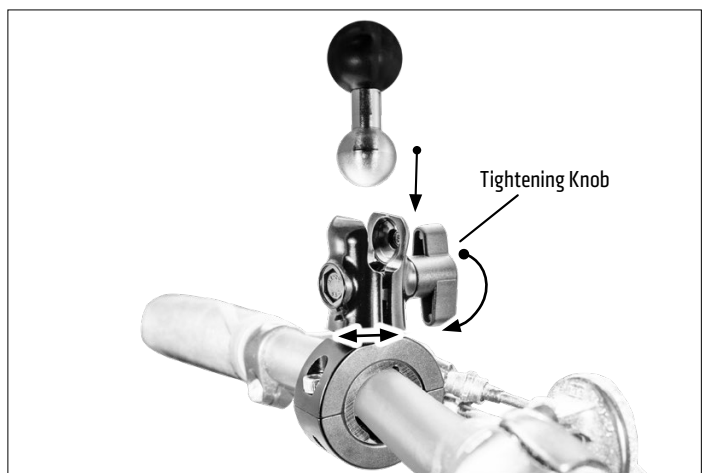
- (1) **MC4B01B** – Motorcycle Handlebar Mount
- (1) **SP20MM25** – 20mm Ball to 25mm (1 inch) Ball Adapter

This Motorcycle Mount fits cylindrical handlebars up to 30mm diameter and comes with 3 handlebar spacer/adaptor rings of different widths. Select the appropriate size for optimum mounting to your handlebar.

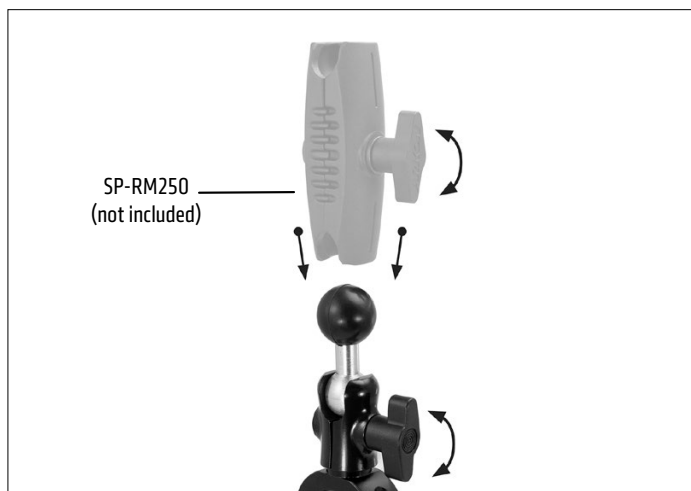
- 1** Place handlebar spacer/adaptor ring around handlebar. Attach mount to handlebar around spacer. Use the included hex key to securely tighten both mounting screws.



- 2** Unscrew tightening knob to attach adapter. Adjust angle, then retighten knob to secure.



- 3** Attach Robust Mount Shaft or other 25mm ball compatible holder or adapter (sold separately) by unscrewing knob to loosen collar. Adjust angle then retighten knob to secure.



Safety Precautions

Arkon is not responsible for any damages caused to your vehicle, your device, or yourself due to the installation or use of this mount.

ARKON MOUNTS

Consumer Hotline:

USA (800) 841-0884

INT'L (626) 254-9005

Monday - Friday 9am - 5pm, PST

www.arkon.com

Arcadia, CA 91006 USA

Designed in USA | Made in USA

© Copyright 2019 Arkon Resources, Inc.