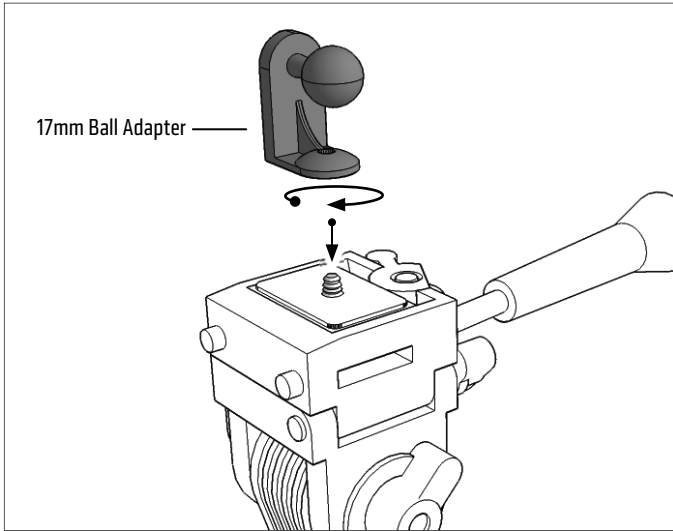




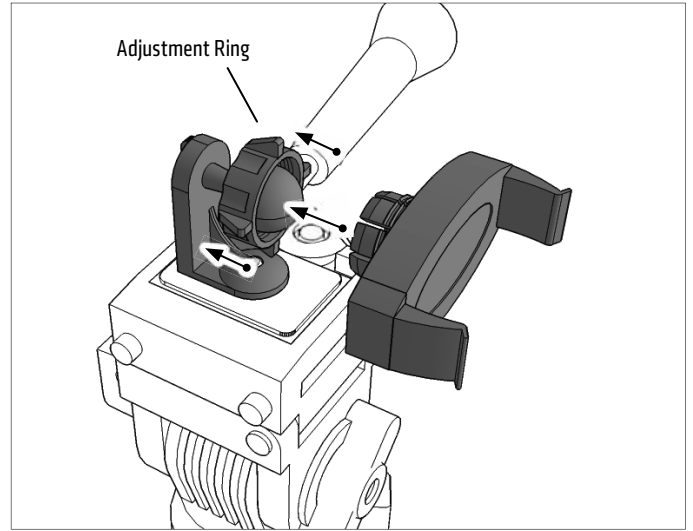
Package Contents:

- (1) MG002 – Mobile Grip 2 Universal Smartphone Holder
- (1) AP142017MM – 1/4"-20 Camera Post to 17mm Ball Pattern Adapter Plate
- (1) SP-SB-RING - Swivel Adjustment Ring

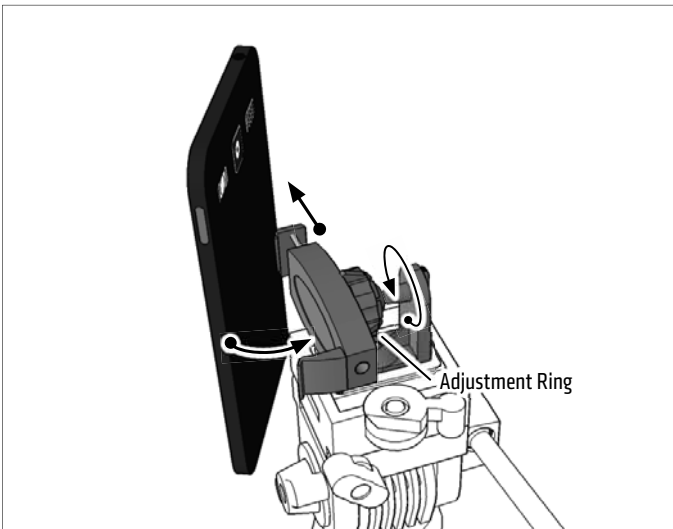
- 1** Screw 17mm Ball Adapter onto any tripod or holder (sold separately, not included) with a 1/4"-20 mounting bolt.



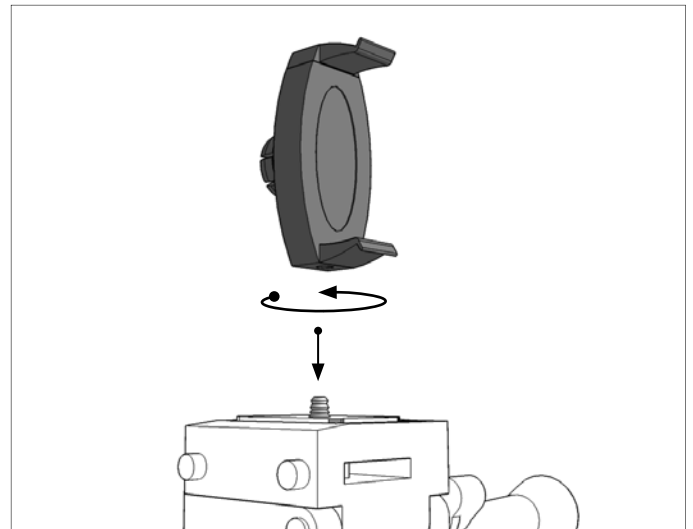
- 2** Place adjustment ring over the pedestal ball and snap Mobile Grip 2 Universal Holder onto the pedestal.



- 3** Insert device by pushing against the spring loaded support leg. Loosen adjustment ring to change position. Retighten to set.



OPTIONAL: Unscrew cord catcher to reveal 1/4"-20 pattern. Screw Mobile Grip 2 Universal Holder directly onto any tripod or holder (sold separately, not included) with a 1/4"-20 mounting bolt.



! Safety Precautions
Do not install Arkon products over an air bag cover or within the air bag deployment zone. Arkon Resources, Inc. assumes no responsibility of liability for injury or death as a result of car crashes and / or air bag deployment.

Arkon is not responsible for any damages caused to your vehicle, your device, or yourself due to the installation or use of this mount.

ARKON
RESOURCES INC. The Mobile Mounting Specialists™

Consumer Hotline: www.arkon.com
 USA (800) 841-0884 Arcadia, CA 91006 USA
 INT'L (626) 254-9005 Designed in USA | Made in China
 Monday - Friday 9am - 5pm, PST © Copyright 2015 Arkon Resources, Inc.