



MG005WR



GN031-B

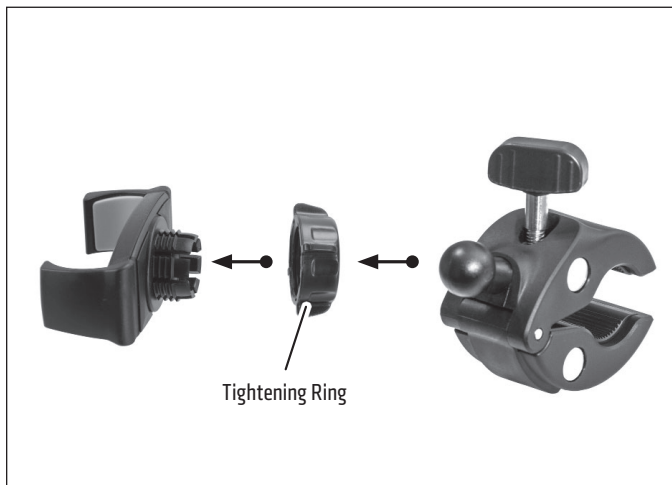
Package Contents:

- (1) MG005WR – Mobile Grip 5 Universal Smartphone Holder
- (1) GN031-B – Clamp Post Mount with 17mm Ball

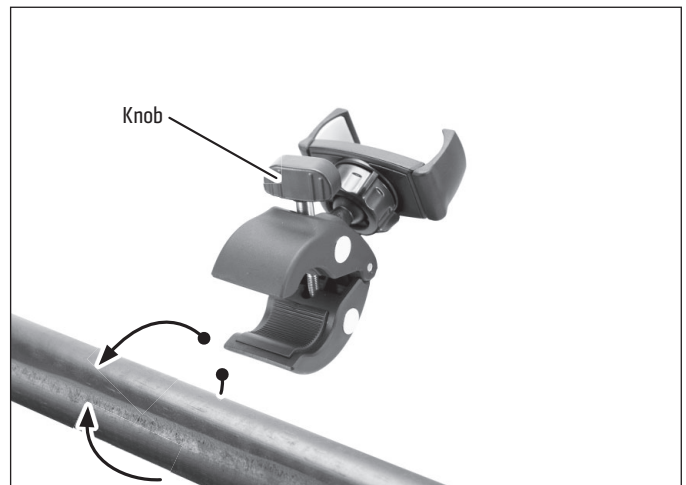
IMPORTANT: Do not overtighten ring. Overtightening ring may damage threads on holder and also make it difficult to adjust holder.

Compatibility: Fits smartphones measuring 3.9" wide.

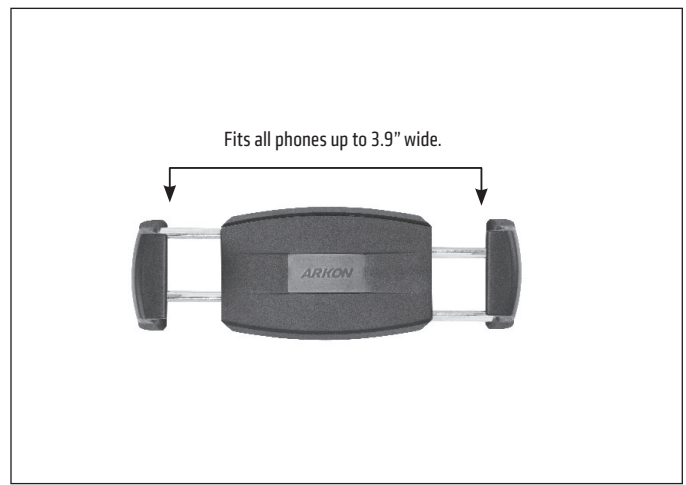
- 1** Unscrew tightening ring from Mobile Grip 5 holder. Place adjustment ring over 17mm ball end of mount then snap the Mobile Grip 5 holder onto 17mm ball and tighten ring. Set to desired position.



- 2** Unscrew mount's knob to loosen grip. Place the mount around pole as desired, then retighten knob to secure.



- 3** Using two hands, insert phone into the holder by pushing the device into one of the spring-loaded legs. Expand the other leg and fully insert device until it lays flat against the blue rubber pad. Rotate or adjust angle as needed.



! Safety Precautions
 Arkon is not responsible for any damages caused to your vehicle, device, or yourself due to the installation or use of this mount.

ARKON MOUNTS

Consumer Hotline: www.arkon.com
 USA (800) 841-0884 Arcadia, CA 91006 USA
 INT'L (626) 254-9005 Designed in USA | Made in Taiwan
 Monday - Friday 9am - 5pm, PST © Copyright 2020 Arkon Resources, Inc.