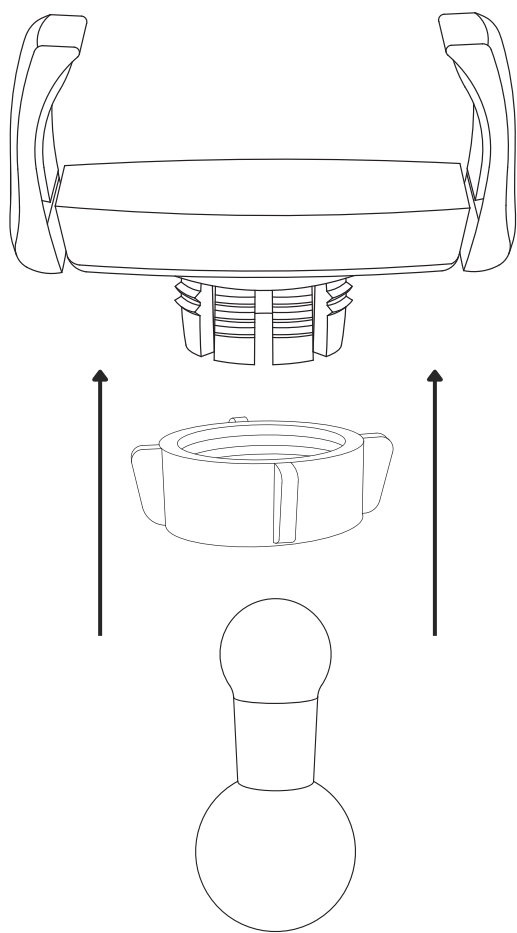


**Includes:**

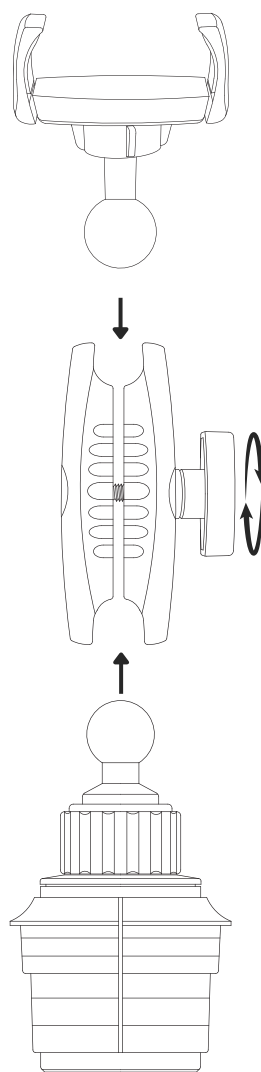
- 1 – Mobile Grip 5 Universal Smartphone Holder (MG005WR)
- 1 – 17mm Tightening Ring (SP-SB-RING)
- 1 – 25mm Ball to 17mm Ball Adapter (SP25MM17)
- 1 – Robust™ Series 3.75 inch Mount Shaft Arm (SP-RM250)
- 1 – Heavy-Duty Car Cup Holder Mounting Pedestal (SPRM023)
- 4– Adhesive Pads (SP023PAD) - Optional

**Compatibility:** This holder is suitable for smartphones with cases measuring up to 3.90" wide.

**1 Install the holder onto the adapter**  
 Unscrew the tightening ring from the phone holder by turning it counter-clockwise. Connect the 17mm ball adapter to the phone holder. Securely fasten the ring back in place.



**2 Assemble the components**  
 Turn the shaft arm counterclockwise to loosen it. Next, attach the 25mm ball adapters to both ends. Finally, tighten the shaft to secure everything in place.



**WARNING**

CHOKING HAZARD - Keep out of reach from children under 8 yrs. as they can choke or suffocate on parts included with this system

**WARNING**

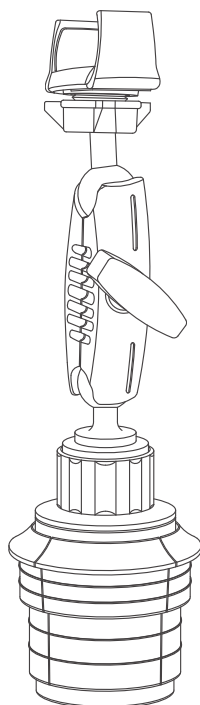
Arkon® is not responsible for any damages caused to your device or yourself due to the installation or use of this mount. Do not install Arkon® products near areas that interfere with operation of vehicles. Arkon® assumes no responsibility or liability for injury or death as a result of failure to install in a safe location. Arkon® is not responsible for any damages caused to vehicles, product, or people due to the installation or use of this product.

Continued on page 2



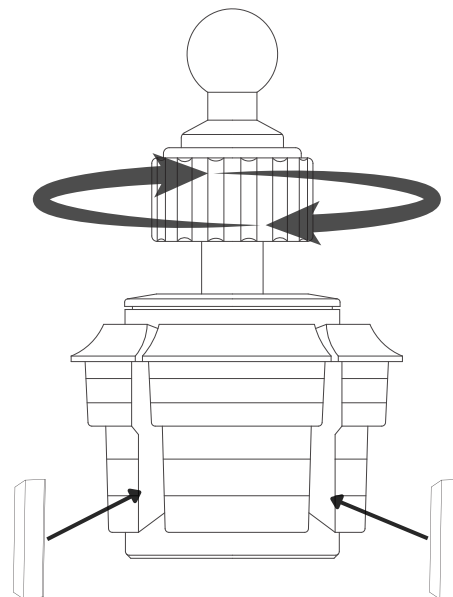
**3 Fully Assembled**

Refer to the image below for the full assembled product.



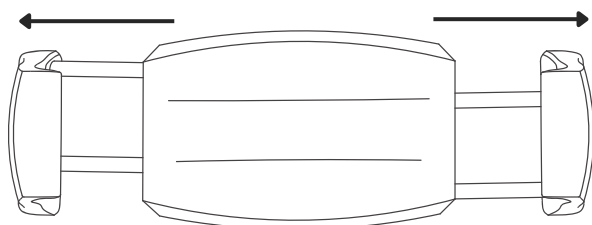
**4 Expand Your Cup Holder**

To adjust the base to fit your car's cup holder area, simply twist it counterclockwise. In case of oversized cup holders, utilize the adhesive pads included in the package.



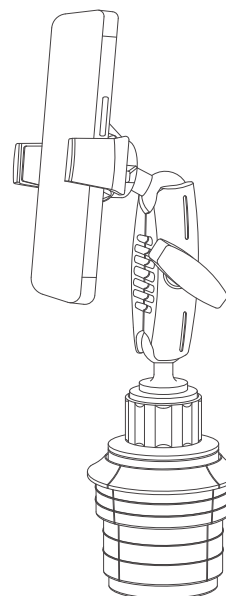
**5 Adjusting the Mobile Grip 5 Phone Holder**

Simply extend the phone holder by activating the spring-loaded mechanism for easy insertion and removal of your smartphone.



**6 Install your device into the Mobile Grip 5 Phone Holder**

Place your device securely against one of the spring-loaded arms. Then, release the spring-loaded arm to firmly secure your device in place.



**WARNING**

CHOKING HAZARD - Keep out of reach from children under 8 yrs. as they can choke or suffocate on parts included with this system

**WARNING**

Arkon® is not responsible for any damages caused to your device or yourself due to the installation or use of this mount. Do not install Arkon® products near areas that interfere with operation of vehicles. Arkon® assumes no responsibility or liability for injury or death as a result of failure to install in a safe location. Arkon® is not responsible for any damages caused to vehicles, product, or people due to the installation or use of this product.

