

**Package Contents:**

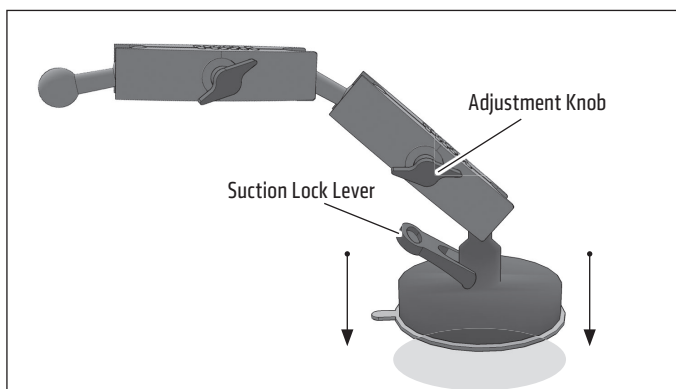
- (1) MG005WR – Mobile Grip 5 Universal Smartphone Holder with Tightening Ring
- (1) SPRM079 – Sticky Suction Base
- (2) SP-RM250 – Robust Mount Shaft Arm
- (1) SP25MMPL – 25mm Ball to 25mm Ball Adapter
- (1) SP25MM17 – 25mm Ball to 17mm Ball Adapter

**Compatibility:**

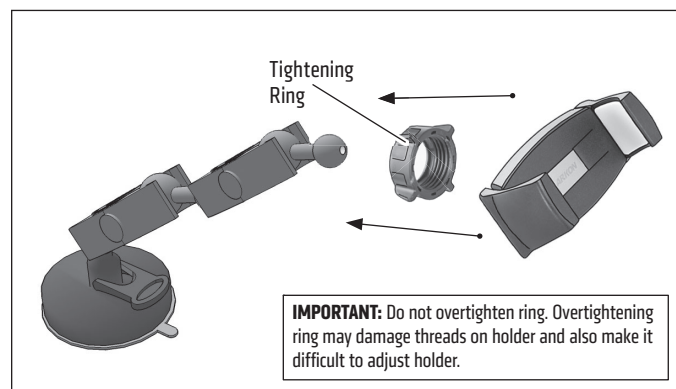
Fits smartphones with cases weighing up to 2 pounds and measuring up to 3.9" wide.

\*If the sticky suction base becomes dirty or loses stickiness, rinse under warm water with mild liquid soap and let air dry.

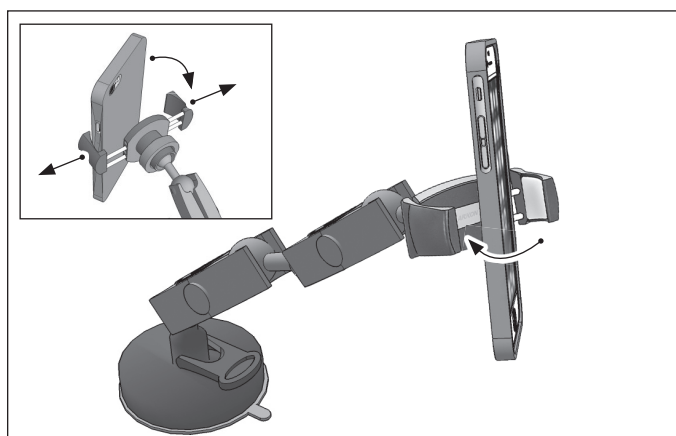
- 1 While firmly pressing mount onto flat surface, engage the suction lock lever to lock into place. To adjust arm angle, loosen the adjustment knob, reposition arm, and retighten knob.



- 2 To add phone holder, place tightening ring over 17mm end of ball adapter and snap the Mobile Grip Holder onto adapter. Set to desired position and tighten ring.



- 3 Using two hands, insert phone into the holder by pushing the device into one of the spring-loaded legs. Expand the other leg and fully insert device until it lays flat against the back of the holder.



- 4 To create close-up detail videos or photos of hands performing an activity, position the mount so that bottom shaft arm is straight up, with the upper shaft arm bent, and phone holder pointed down.



**! Safety Precautions**

Arkon is not responsible for any damages caused to your vehicle, device, or yourself due to the installation or use of this mount.

**WARNING:** This product may expose you to chemicals, which are known to the State of California to cause cancer. For more information, go to [www.P65Warnings.ca.gov](http://www.P65Warnings.ca.gov).

**ARKON MOUNTS**

Consumer Hotline:

USA (800) 841-0884

INT'L (626) 254-9005

Monday - Friday 9am - 5pm, PST

[www.arkon.com](http://www.arkon.com)

Arcadia, CA 91006 USA

Designed in USA | Made in Taiwan

© Copyright 2020 Arkon Resources, Inc.

U.S. Pat. No. 6,585,212