

SPMAGS01

GN077

Includes:

- 1 - MagSafe Magnet Adapter with Tightening Ring (SPMAGS01)
- 1 - Adhesive Magnetic Ring - Optional
- 1 - Air Vent Mount with 17mm Ball (GN077)

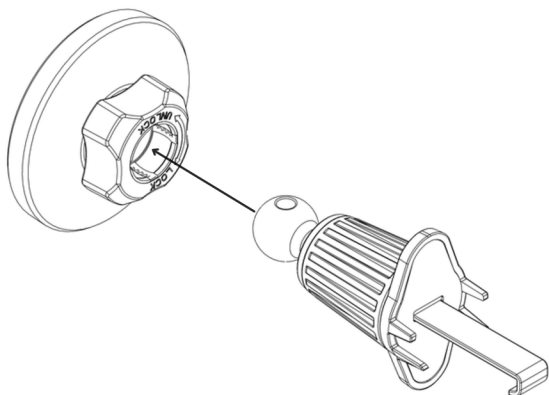
Important: Clean the application surface before applying the optional magnetic ring.

Important: Do not over tighten the mount to avoid damage to the air vent.

Important: If using the optional magnetic ring, please press the adhesive back side to the application surface firmly. Allowing 24 hours for the adhesive to cure before using.

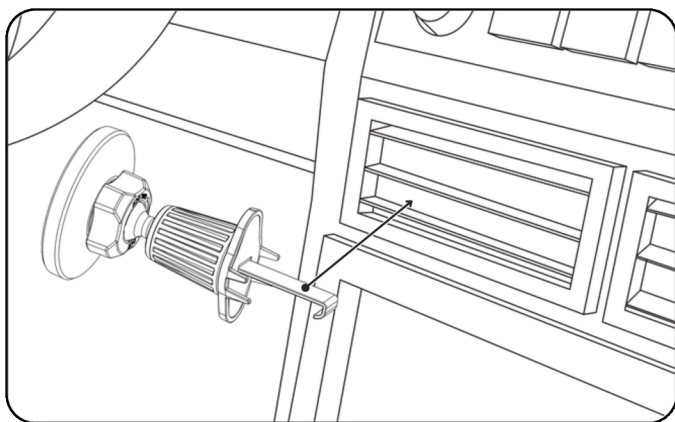
1 Attach the Components

Remove the tightening ring from the holder by turning it counter-clockwise. Position the tightening ring over the 17mm ball adapter on the vent mount. Insert the magnetic holder into the vent mount. Secure the connection by tightening the ring in place.



3 Attaching to Vent

Full open the air vent outlet. Insert the mount's vent hook into the vent grille and secure to the rear of one of the vent blades. Guide the alignment tabs over the same vent blade. Hand tighten the ribbed adjustment collar to secure.



WARNING

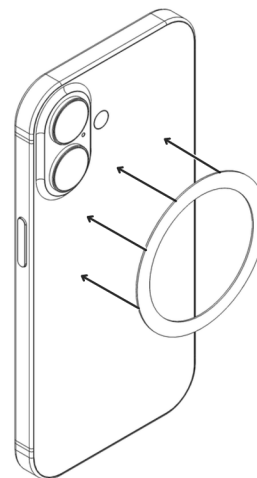
CHOKING HAZARD - Keep out of reach from children under 8 yrs. as they can choke or suffocate on parts included with this system

WARNING

Arkon® is not responsible for any damages caused to your device or yourself due to the installation or use of this mount. Do not install Arkon® products near areas that interfere with operation of vehicles. Arkon® assumes no responsibility or liability for injury or death as a result of failure to install in a safe location. Arkon® is not responsible for any damages caused to vehicles, product, or people due to the installation or use of this product.

2 Optional - Installing the Magnetic Ring on Your Device

To attach the adhesive magnetic ring to your non-magsafe smartphone case, just remove the yellow sticky side and apply to the back of your device.



4 Mounting Your Phone on the Holder

Ensure the magnetic ring of your MagSafe compatible device is aligned with the holder for a secure fit.

