

## Includes:

- 1 – MagSafe Magnet Adapter with Tightening Ring (SPMAGS01)
- 1 – Adhesive Magnetic Ring - Optional
- 1 – 80mm Adhesive Dash Mounting Disk (AP013)
- 1 – Sticky Suction Mount with 17mm Ball (GN079)
- 1 – Alcohol Pad (XACP)

**Important:** Clean the application surface before applying the optional magnetic ring

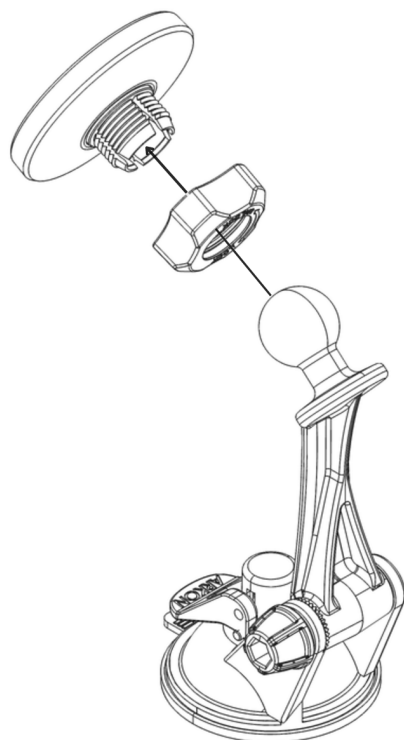
**Important:** If using the optional magnetic ring, please press the adhesive back side to the application surface firmly. Allowing 24 hours for the adhesive to cure before using.

**Dashboard Mounting Warning:** Do not use the sticky suction pedestal on soft vinyl, leather, or similar materials to avoid permanent indentations. Instead, use the included adhesive disk. For some surfaces, press firmly on the suction base while engaging the lock lever for secure mounting.

**Note:** If the adhesive suction base gets dirty or loses its stickiness, wash it with warm water and mild soap, then allow it to air dry.

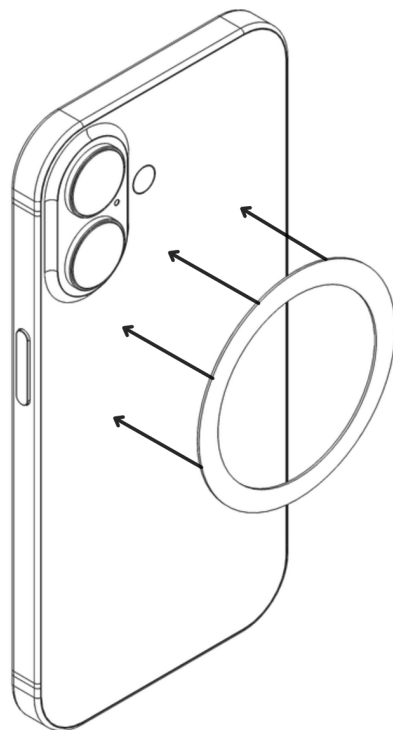
## 1 Attach the Components

Position the tightening ring over the 17mm ball on the sticky suction mount. Insert the magnetic holder into the suction mount. Secure the connection by tightening the ring in place.



## 2 Optional - Installing the Magnetic Ring on Your Device

To attach the adhesive magnetic ring to your non-magsafe smartphone case, just remove the yellow sticky side and apply to the back of your device.



### WARNING

CHOKING HAZARD - Keep out of reach from children under 8 yrs. as they can choke or suffocate on parts included with this system

### WARNING

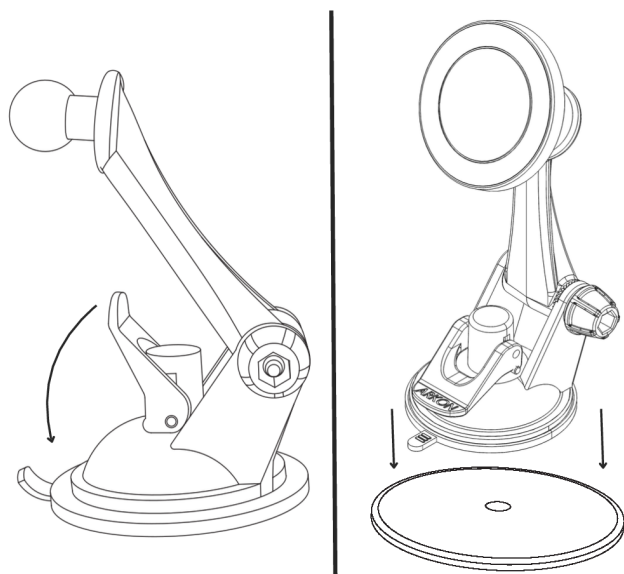
Arkon® is not responsible for any damages caused to your device or yourself due to the installation or use of this mount. Do not install Arkon® products near areas that interfere with operation of vehicles. Arkon® assumes no responsibility or liability for injury or death as a result of failure to install in a safe location. Arkon® is not responsible for any damages caused to vehicles, product, or people due to the installation or use of this product.

Continued on page 2



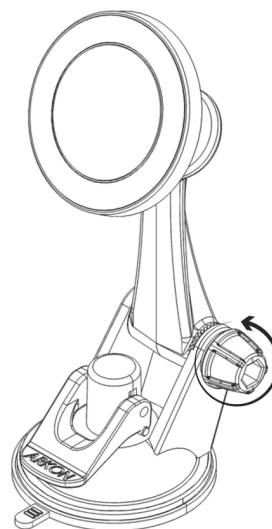
## 3 Install the Sticky Suction Mount on Surface

Install the suction mount on a clean, dry, flat surface using provided alcohol pad. Remove protective film, press suction mount firmly, and secure by flipping the lever down. If you prefer to mount it on the dashboard, the adhesive disk is optional.



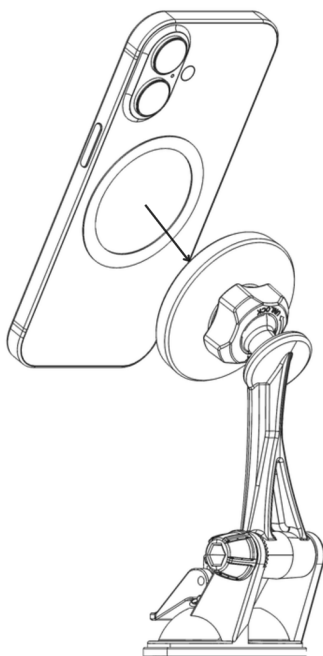
## 4 Adjusting the Mount's Angle

To modify the angle of the mount, rotate the knob counter-clockwise. To secure the angle in place, turn the knob clockwise.



## 5 Mounting Your Phone on the Holder

Ensure the magnetic ring of your MagSafe compatible device is aligned with the holder for a secure fit.



### WARNING

CHOKING HAZARD - Keep out of reach from children under 8 yrs. as they can choke or suffocate on parts included with this system

### WARNING

Arkon® is not responsible for any damages caused to your device or yourself due to the installation or use of this mount. Do not install Arkon® products near areas that interfere with operation of vehicles. Arkon® assumes no responsibility or liability for injury or death as a result of failure to install in a safe location. Arkon® is not responsible for any damages caused to vehicles, product, or people due to the installation or use of this product.

