

SPMAGS01

GN031-B

## Includes:

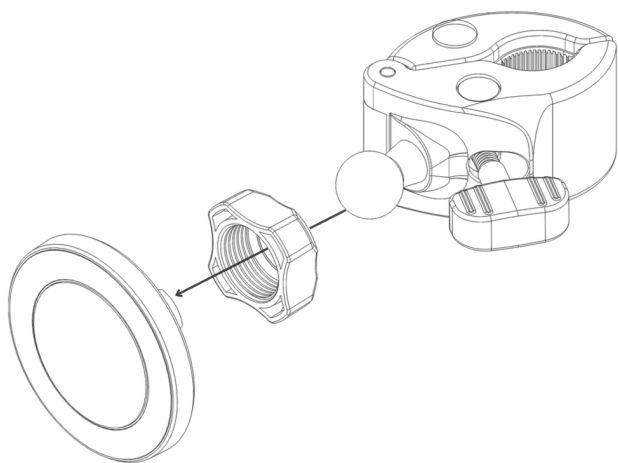
- 1 - MagSafe Magnet Adapter with Tightening Ring (SPMAGS01)
- 1 - Adhesive Magnetic Ring - Optional
- 1 - Clamp Mount with 17mm Ball (GN031-B)

**Important:** Clean the application surface before applying the optional magnetic ring

**Important:** If using the optional magnetic ring, please press the adhesive back side to the application surface firmly. Allowing 24 hours for the adhesive to cure before using.

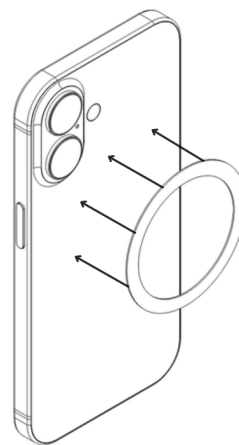
## 1 Attach the Components

Position the tightening ring over the 17mm ball on the clamp mount. Insert the magnetic holder into the clamp mount. Secure the connection by tightening the ring in place.



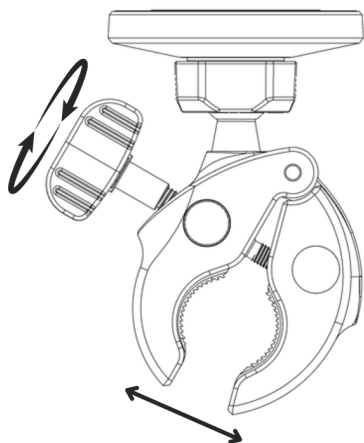
## 2 Optional - Installing the Magnetic Ring on Your Device

To attach the adhesive magnetic ring to your non-magsafe smartphone case, just remove the yellow sticky side and apply to the back of your device.



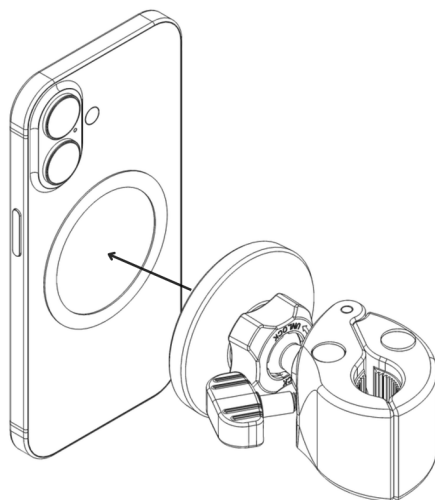
## 3 Adjusting the Clamp Mount

To widen the clamp arms to the desired width, turn the knob counterclockwise. Attach to your desired surface and then tighten the knob clockwise to secure in place.



## 4 Mounting Your Phone on the Holder

Ensure the magnetic ring of your MagSafe compatible device is aligned with the holder for a secure fit.



### WARNING

CHOKING HAZARD - Keep out of reach from children under 8 yrs. as they can choke or suffocate on parts included with this system

### WARNING

Arkon® is not responsible for any damages caused to your device or yourself due to the installation or use of this mount. Do not install Arkon® products near areas that interfere with operation of vehicles. Arkon® assumes no responsibility or liability for injury or death as a result of failure to install in a safe location. Arkon® is not responsible for any damages caused to vehicles, product, or people due to the installation or use of this product.

