

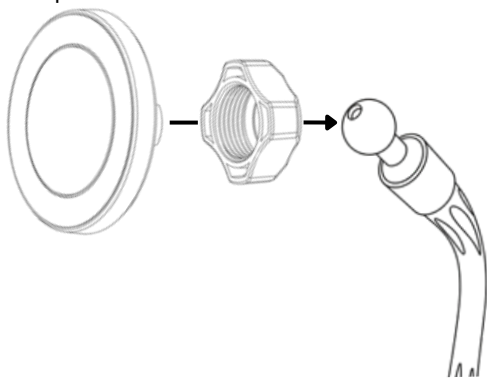
Included Components:

- Cup Holder with Gooseneck and 17mm Ball
- Magnetic Phone Holder with Adhesive and Tightening Rings
OR (holder varies on the selected product part number)
- Mega Grip™ Phone Holder
 - 4-Hole AMPS Adapter Plate with 17mm Ball Slot
 - 17mm Tightening Ring

Important: Clean all mounting surfaces before installation. For the optional magnetic adhesive ring, press firmly onto a clean device case and allow 24 hours to cure before use.

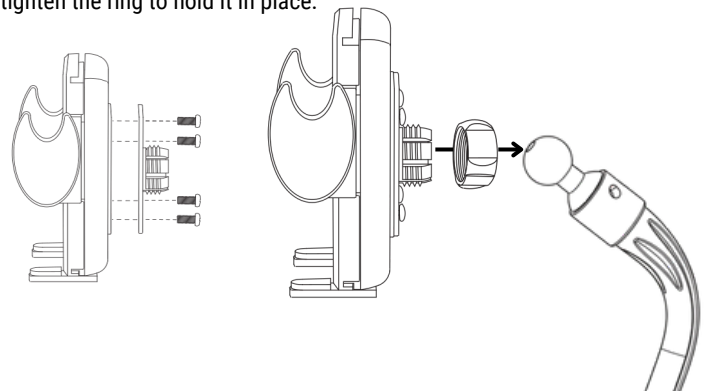
Magnetic Phone Holder Mounting

Insert the 17mm ball through the tightening ring into the socket located in the back of the holder. Hand tighten the ring to secure the holder to the ball adapter.

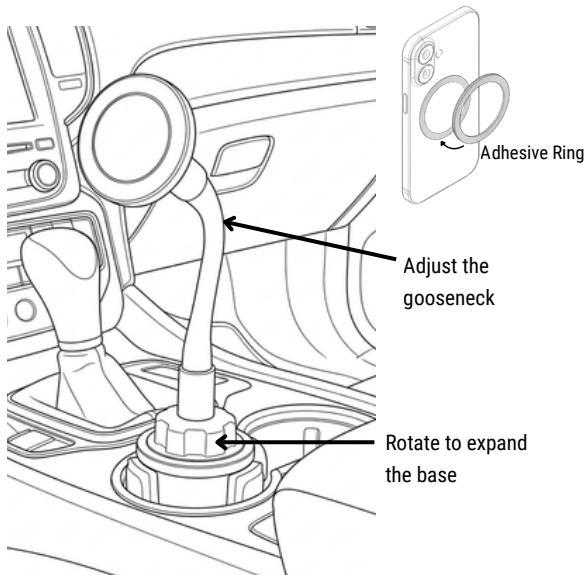


Mega Grip™ Phone Holder Mounting

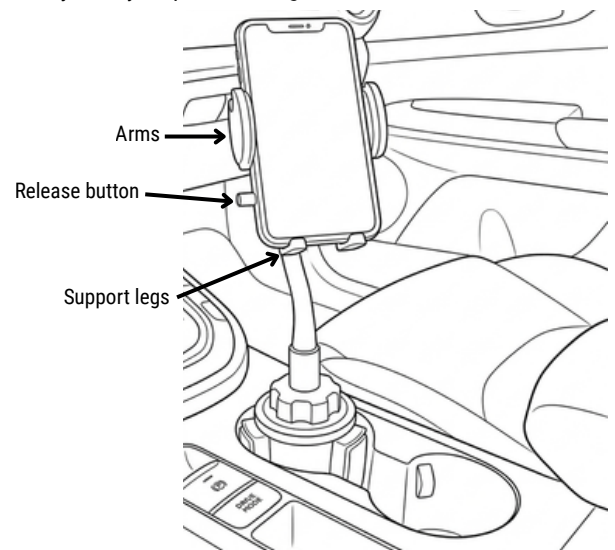
Attach the AMPS plate to the back of the holder using the included screws. Insert the 17mm ball into the back socket through the tightening ring, then tighten the ring to hold it in place.



1 Position the device onto the holder. Rotate the top of the base to expand and secure it in the cup holder. Adjust the mount position by bending the gooseneck to your desired angle.



1 Place the device on the legs and press the arms inward to secure it. To remove, press the release button. Twist the top of the base to expand and lock it in the cup holder, then bend the gooseneck to adjust to your preferred angle.



WARNING
CHOKING HAZARD - Keep out of reach from children under 8 yrs. as they can choke or suffocate on parts included with this system

WARNING
Arkon® is not responsible for any damages caused to your device or yourself due to the installation or use of this mount. Do not install Arkon® products near areas that interfere with operation of vehicles. Arkon® assumes no responsibility or liability for injury or death as a result of failure to install in a safe location. Arkon® is not responsible for any damages caused to vehicles, product, or people due to the installation or use of this product.

