

## Includes:

- 1 - MagSafe Magnet Adapter with Tightening Ring (SPMAGS01)
- 1 - Adhesive Magnetic Ring - Optional
- 1 - 25mm Ball to 17mm Ball Adapter (SP25MM17)
- 1 - Robust™ Series 3.75 inch Shaft Arm (SP-RM250)
- 1 - Sticky Suction Base with 25mm Ball (SPRM079)
- 1 - Alcohol Pad (XACP)

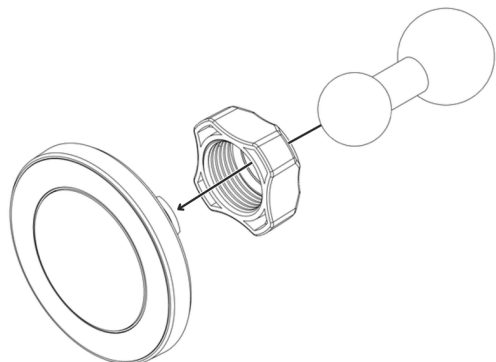
**Important:** Clean the application surface before applying the optional magnetic ring

**Important:** If using the optional magnetic ring, please press the adhesive back side to the application surface firmly. Allowing 24 hours for the adhesive to cure before using.

### 1

#### Attach the Magnetic Holder to the 17mm Ball Adapter

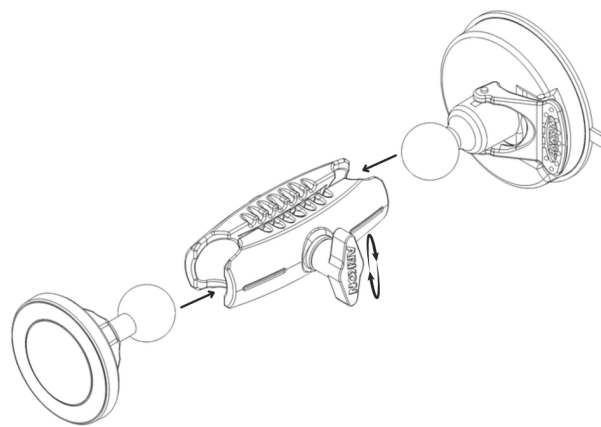
Remove the tightening ring from the holder by turning it counter-clockwise. Position the tightening ring over the 17mm ball to the 25mm ball adapter. Insert the magnetic holder into the 17mm ball adapter. Secure the connection by tightening the ring in place.



### 2

#### Assembling the Components

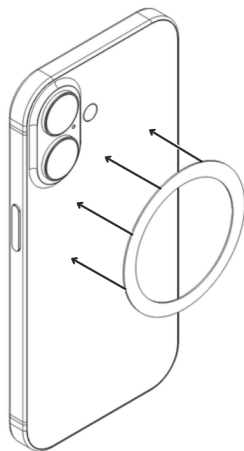
Loosen the knob from the shaft arm by turning it counter-clockwise. Insert the 25mm ball from the suction base to the shaft arm and the 25mm ball from the magnetic mount.



### 3

#### Optional - Installing the Magnetic Ring on Your Device

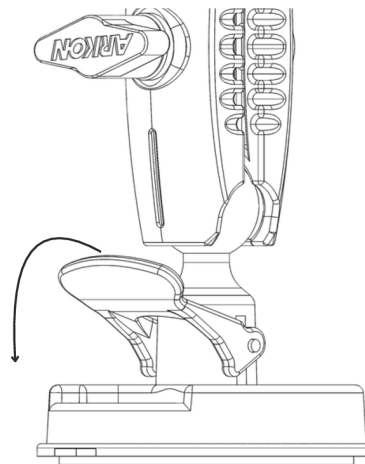
To attach the adhesive magnetic ring to your non-magsafe smartphone case, just remove the yellow sticky side and apply to the back of your device.



### 4

#### Install the suction cup on surface

Install the suction cup base on a clean, dry, flat surface using provided alcohol pad. Remove protective film, press suction cup firmly, and secure by flipping the lever down.



#### WARNING

CHOKING HAZARD - Keep out of reach from children under 8 yrs. as they can choke or suffocate on parts included with this system

#### WARNING

Arkon® is not responsible for any damages caused to your device or yourself due to the installation or use of this mount. Do not install Arkon® products near areas that interfere with operation of vehicles. Arkon® assumes no responsibility or liability for injury or death as a result of failure to install in a safe location. Arkon® is not responsible for any damages caused to vehicles, product, or people due to the installation or use of this product.

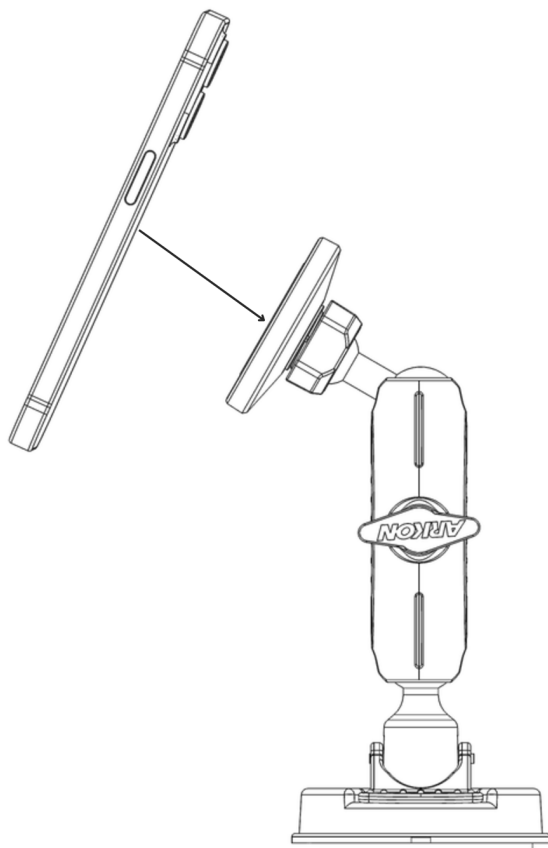
Continued on page 2



5

## Mounting Your Phone on the Holder

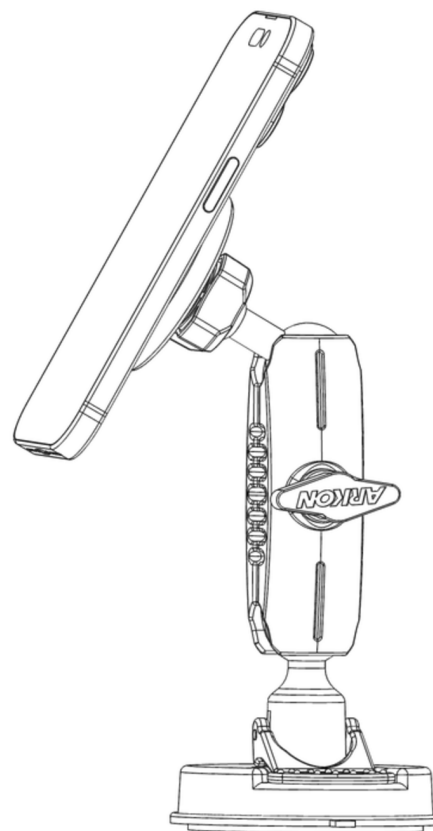
Ensure the magnetic ring of your MagSafe compatible device is aligned with the holder for a secure fit.



6

## Fully Assembled

Refer to the image below for the full assembled product.



### WARNING

CHOKING HAZARD - Keep out of reach from children under 8 yrs. as they can choke or suffocate on parts included with this system

### WARNING

Arkon® is not responsible for any damages caused to your device or yourself due to the installation or use of this mount. Do not install Arkon® products near areas that interfere with operation of vehicles. Arkon® assumes no responsibility or liability for injury or death as a result of failure to install in a safe location. Arkon® is not responsible for any damages caused to vehicles, product, or people due to the installation or use of this product.

