

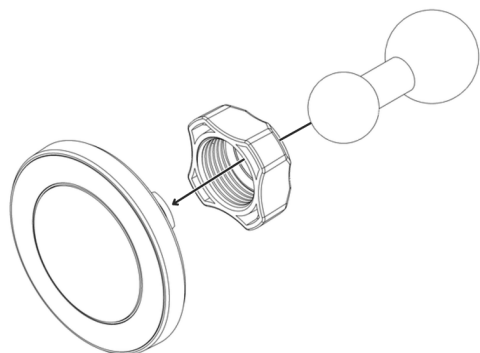
Includes:

- 1 - MagSafe Magnet Adapter with Tightening Ring (SPMAGS01)
- 1 - Adhesive Magnetic Ring - Optional
- 1 - 25mm Ball to 17mm Ball Adapter (SP25MM17)
- 1 - Robust™ Series 3.75 inch Shaft Arm (SP-RM250)
- 1 - Cup Holder Mounting Pedestal with 25mm Ball (SPRM023)
- 1 - Set of 4 Self-Adhesive Pads (SP023PAD) - Optional

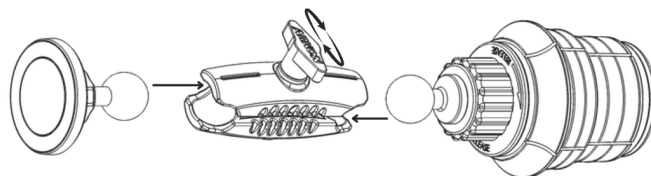
Important: Clean the application surface before applying the optional magnetic ring

Important: If using the optional magnetic ring, please press the adhesive back side to the application surface firmly. Allowing 24 hours for the adhesive to cure before using.

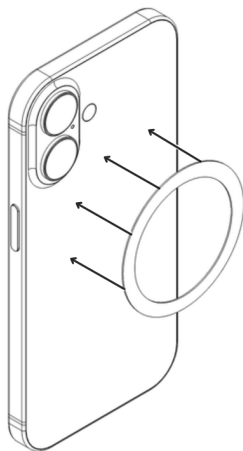
- 1 Attach the Magnetic Holder to the 17mm Ball Adapter**
Remove the tightening ring from the holder by turning it counter-clockwise. Position the tightening ring over the 17mm ball to the 25mm ball adapter. Insert the magnetic holder into the 17mm ball adapter. Secure the connection by tightening the ring in place.



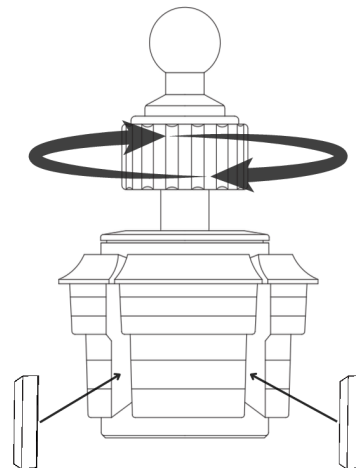
- 2 Assembling the Components**
Loosen the knob from the shaft arm by turning it counter-clockwise. Insert the 25mm ball from the cup holder base to the shaft arm and the 25mm ball from the magnetic mount.



- 3 Optional - Installing the Magnetic Ring on Your Device**
To attach the adhesive magnetic ring to your non-magsafe smartphone case, just remove the yellow sticky side and apply to the back of your device.



- 4 Expand the Cup Holder**
To adjust the base to fit your car's cup holder area, simply twist it counterclockwise. In case of oversized cup holders, utilize the adhesive pads included in the package.



WARNING

CHOKING HAZARD - Keep out of reach from children under 8 yrs. as they can choke or suffocate on parts included with this system

WARNING

Arkon® is not responsible for any damages caused to your device or yourself due to the installation or use of this mount. Do not install Arkon® products near areas that interfere with operation of vehicles. Arkon® assumes no responsibility or liability for injury or death as a result of failure to install in a safe location. Arkon® is not responsible for any damages caused to vehicles, product, or people due to the installation or use of this product.

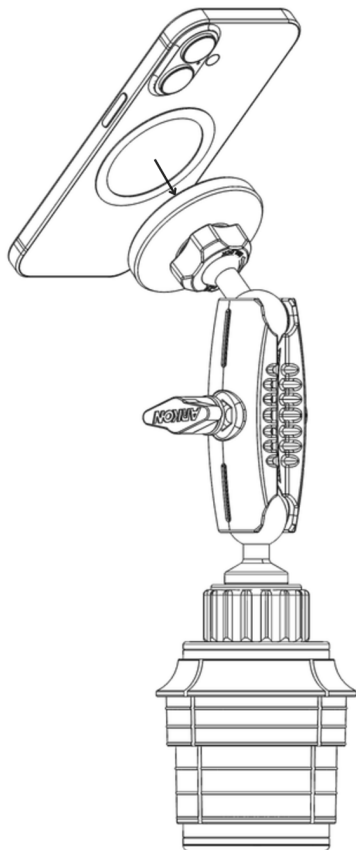
Continued on page 2



5

Mounting Your Phone on the Holder

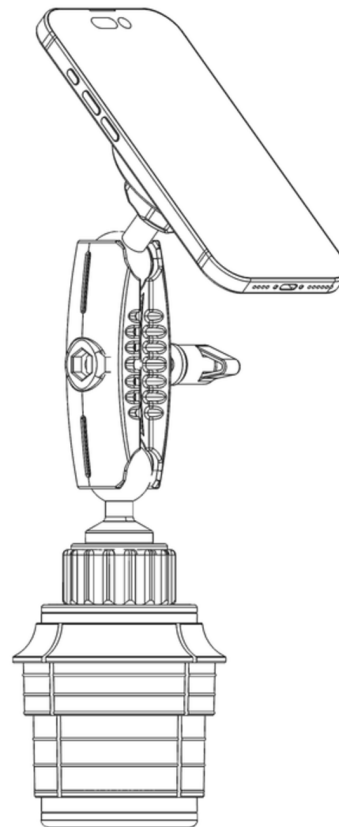
Ensure the magnetic ring of your MagSafe compatible device is aligned with the holder for a secure fit.



6

Fully Assembled

Refer to the image below for the full assembled product.



WARNING

CHOKING HAZARD - Keep out of reach from children under 8 yrs. as they can choke or suffocate on parts included with this system

WARNING

Arkon® is not responsible for any damages caused to your device or yourself due to the installation or use of this mount. Do not install Arkon® products near areas that interfere with operation of vehicles. Arkon® assumes no responsibility or liability for injury or death as a result of failure to install in a safe location. Arkon® is not responsible for any damages caused to vehicles, product, or people due to the installation or use of this product.

