

Includes:

- 1 – MagSafe Magnet Adapter with Tightening Ring (SPMAGS01)
- 1 – Adhesive Magnetic Ring - Optional
- 1 – 25mm Ball to 17mm Ball Adapter (SP25MM17)
- 1 – Robust™ Series 3.75 inch Shaft Arm (SP-RM250)
- 1 – Seat Wedge Mount with 25mm Ball (SPSEATMT)

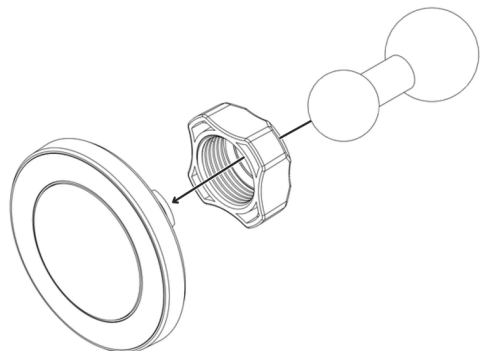
Important: Clean the application surface before applying the optional magnetic ring

Important: If using the optional magnetic ring, please press the adhesive back side to the application surface firmly. Allowing 24 hours for the adhesive to cure before using.

1

Attach the Magnetic Holder to the 17mm Ball Adapter

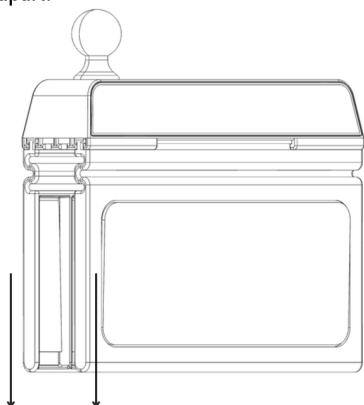
Remove the tightening ring from the holder by turning it counter-clockwise. Position the tightening ring over the 17mm ball to the 25mm ball adapter. Insert the magnetic holder into the 17mm ball adapter. Secure the connection by tightening the ring in place.



3

Install the Seat Wedge Mount

Place the seat wedge mount into the gap between the car seat and the console. The seat wedge mount should fit tightly. If the mounting system allows easy movement or removal, please reposition the plates into channels that are further apart.



WARNING

CHOKING HAZARD - Keep out of reach from children under 8 yrs. as they can choke or suffocate on parts included with this system

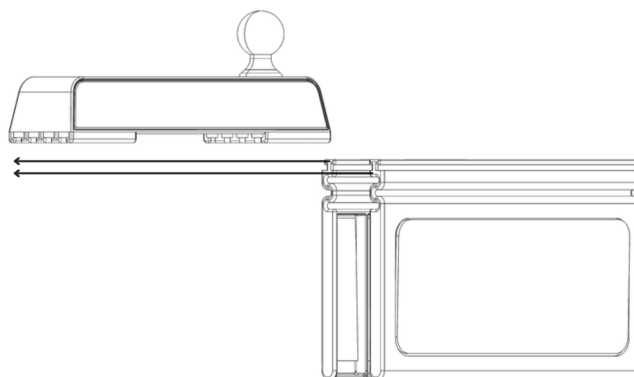
WARNING

Arkon® is not responsible for any damages caused to your device or yourself due to the installation or use of this mount. Do not install Arkon® products near areas that interfere with operation of vehicles. Arkon® assumes no responsibility or liability for injury or death as a result of failure to install in a safe location. Arkon® is not responsible for any damages caused to vehicles, product, or people due to the installation or use of this product.

2

Adjusting the Seat Wedge Mount

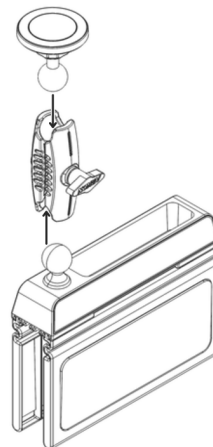
Adjust the plates to fit the desired space between your car seat and console by sliding them into the channels located on the bottom of the mounting base.



4

Assembling the Components

Loosen the knob from the shaft arm by turning it counter-clockwise. Insert the 25mm ball from the seat wedge mount to the shaft arm and the 25mm ball from the magnetic mount.

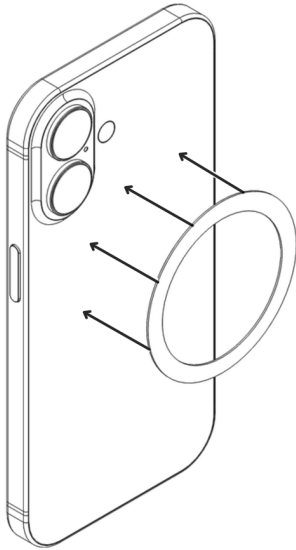


Continued on page 2



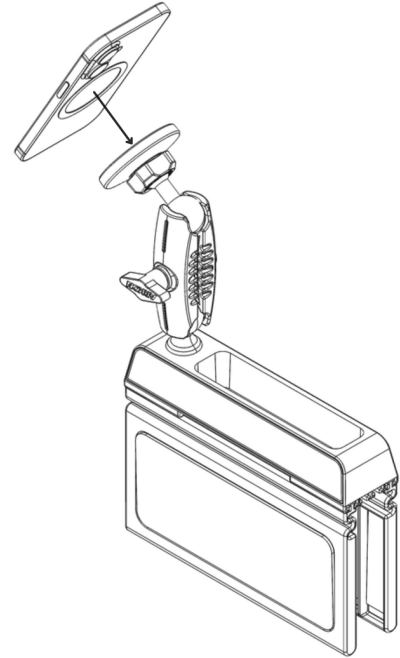
5 Optional - Installing the Magnetic Ring on Your Device

To attach the adhesive magnetic ring to your non-magsafe smartphone case, just remove the yellow sticky side and apply to the back of your device.



6 Mounting Your Phone on the Holder

Ensure the magnetic ring of your MagSafe compatible device is aligned with the holder for a secure fit.



WARNING

CHOKING HAZARD - Keep out of reach from children under 8 yrs. as they can choke or suffocate on parts included with this system

WARNING

Arkon® is not responsible for any damages caused to your device or yourself due to the installation or use of this mount. Do not install Arkon® products near areas that interfere with operation of vehicles. Arkon® assumes no responsibility or liability for injury or death as a result of failure to install in a safe location. Arkon® is not responsible for any damages caused to vehicles, product, or people due to the installation or use of this product.

