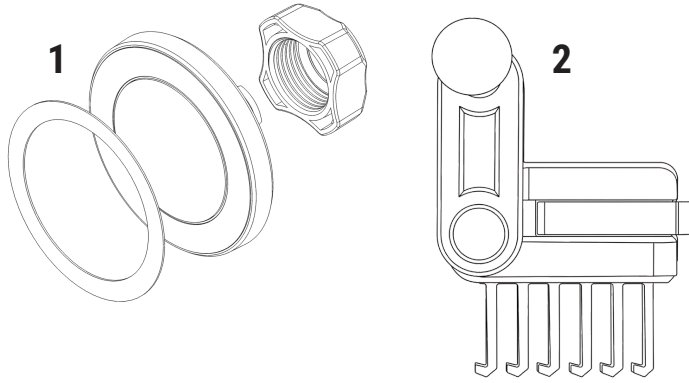


Magnetic Vent Mount for Tesla Model 3 & Y



Included Components:

1. Magnetic Phone Holder with Ring & Adhesive Plate
2. Tesla Vent Mount with 17mm Ball

Compatible Tesla Model Years:

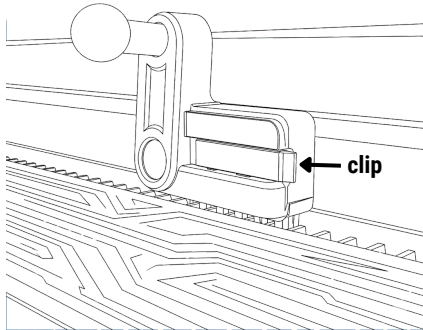
- Model 3 2017-2022
- Model Y 2020-2023

Notes:

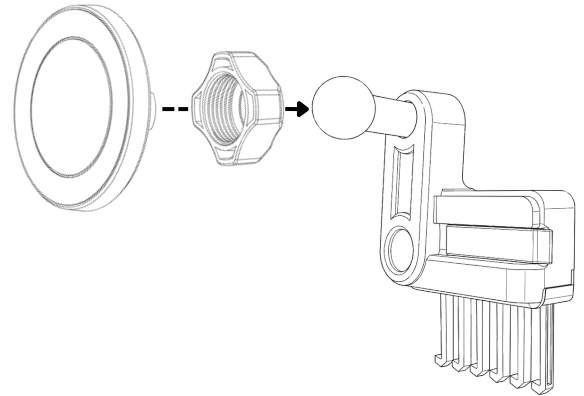
Important: Clean the application surface before applying the optional magnetic ring

Important: If using the optional magnetic ring, please press the adhesive back side to the application surface firmly. Allowing 24 hours for the adhesive to cure before using.

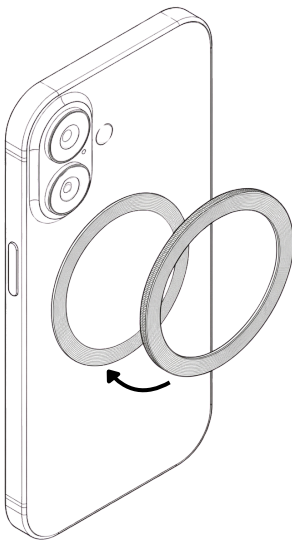
- 1 Insert the mount into the vehicle vent by extending the clip. Once properly positioned, press the clip back in to lock it securely in place.



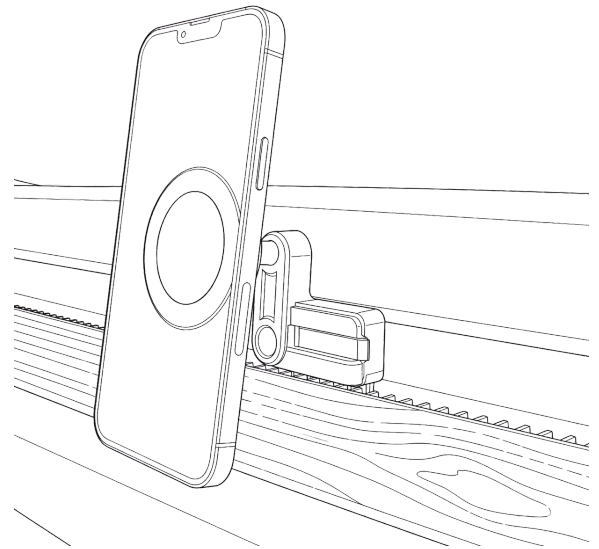
- 2 Attach the tightening ring to the 17mm ball adapter, insert the magnetic holder, and tighten to secure.



- 3 **Optional:** Peel off the yellow backing and apply the magnetic ring to the back of your non-MagSafe case.



- 4 The mount is fully assembled and ready for use. Adjust as needed for optimal positioning.



WARNING

CHOKING HAZARD - Keep out of reach from children under 8 yrs. as they can choke or suffocate on parts included with this system

WARNING

Arkon® is not responsible for any damages caused to your device or yourself due to the installation or use of this mount. Do not install Arkon® products near areas that interfere with operation of vehicles. Arkon® assumes no responsibility or liability for injury or death as a result of failure to install in a safe location. Arkon® is not responsible for any damages caused to vehicles, product, or people due to the installation or use of this product.

ARKON MOUNTS

USA (800) 841-0884
INT'L (626) 254-9005
Monday - Friday 9 am - 5 pm PST

arkon.com
Designed in USA
©Arkon Resources, Inc.

Need assistance?
Scan to email our
Arkon® customer
service team.

