



RM179



SPLEDRING

Package Contents:

- (1) SPLEDRING – Clip-On LED Ring Light
- (1) RM179 – Suction Mirror Mount

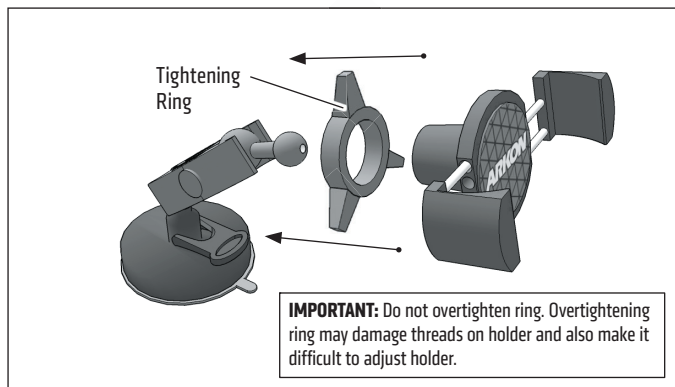
Compatibility:

Fits smartphones with cases weighing up to 2 pounds and measuring up to 4" wide.

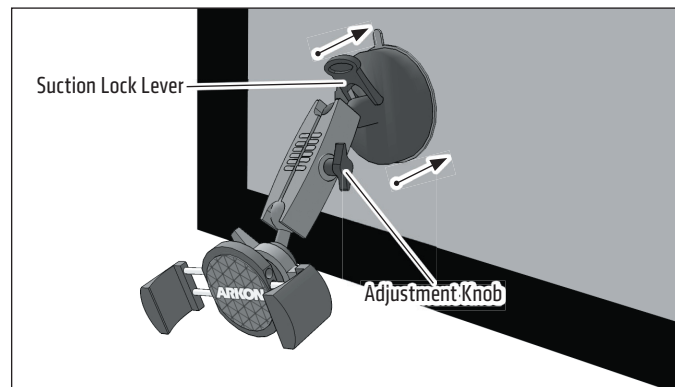
MUA179 is a suction mount for use on flat surfaces such as mirrors, desks, and counters.

*If the sticky suction base becomes dirty or loses stickiness, rinse under warm water with mild liquid soap and let air dry.

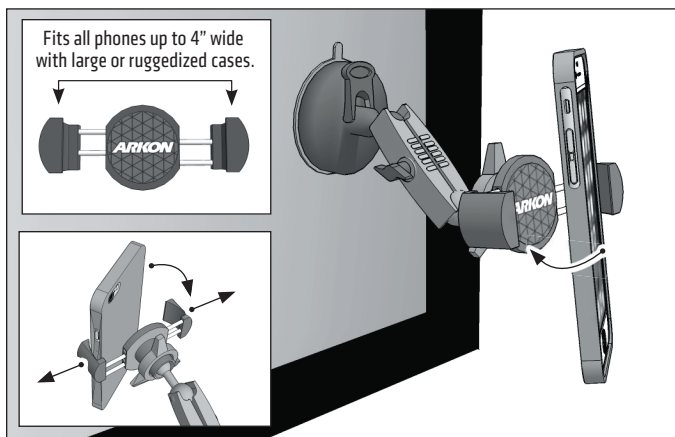
- 1 To attach phone holder to pedestal, place tightening ring over 17mm end of ball adapter and snap the phone holder onto adapter.



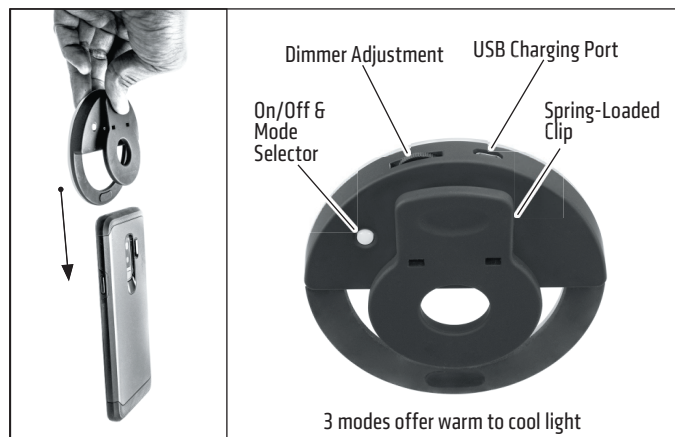
- 2 While firmly pressing the pedestal onto flat surface, engage the suction lock lever to lock into place. To adjust arm angle, loosen the adjustment knob, re-position arm, and re-tighten knob.



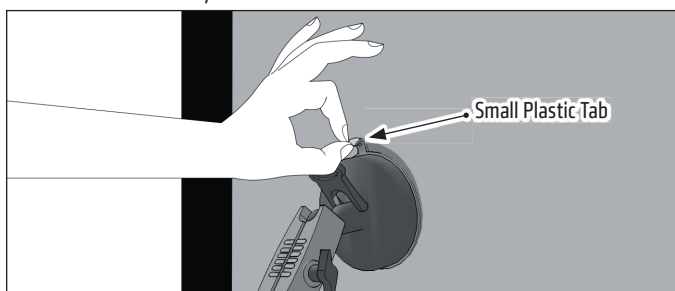
- 3 Using two hands, insert phone into the holder by pushing the device into one of the spring-loaded legs. Expand the other leg and fully insert the phone until it lays flat against the blue rubber pad.



- 4 Clip ring light onto phone and adjust settings as desired.



- 5 To remove the mount from a mirror or other flat surface, flip the suction lock lever up, then carefully pull the small plastic tab up away from the surface. DO NOT pull the mount from any other area, otherwise damage to the surface may result.



ARKON MOUNTS

Consumer Hotline:

USA (800) 841-0884

INT'L (626) 254-9005

Monday - Friday 9 am - 5 pm, PST

www.arkon.com

Arcadia, CA 91006 USA

Designed in USA | Made in Taiwan, China, and USA

© Copyright 2018 Arkon Resources, Inc.