

Package Contents:

- (1) TAB001-AMPS – Slim-Grip® Universal Holder with 4-Hole AMPS Mounting Pattern
- (1) SPPPTAB1FT – Mobile Printer-Compatible Support Legs
- (1) SP-RM250 – Robust Mount Shaft
- (2) APMAMPS25MM – Metal AMPS to 25mm Ball Adapter

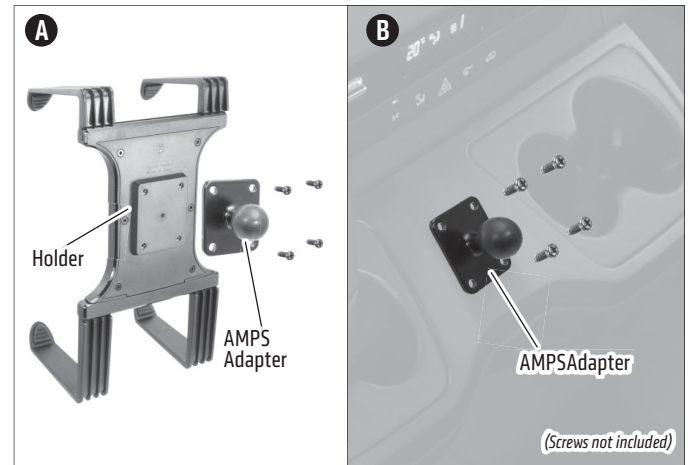
Select a combination of 4 support legs in conjunction for use with the spring-loaded holder to achieve the perfect fit for your mobile printer.

IMPORTANT: This is a spring-loaded holder. After selecting and installing the support legs that will fit your mobile printer, **push down on the lower legs to engage the spring-loaded holder** and mount your device.

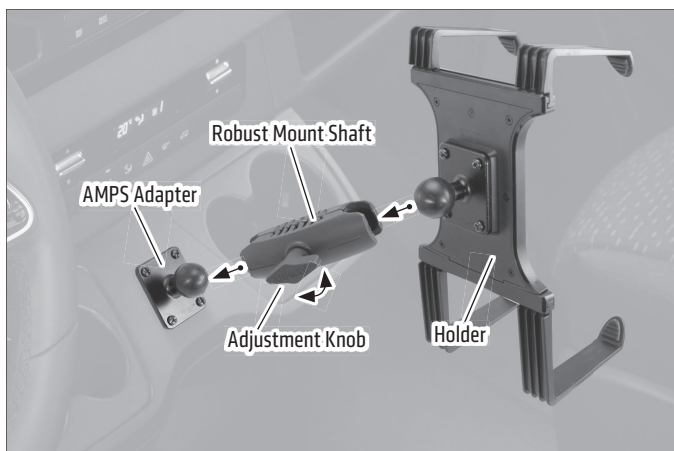
- 1** Attach long or short support legs to the holder based on the size of your device.



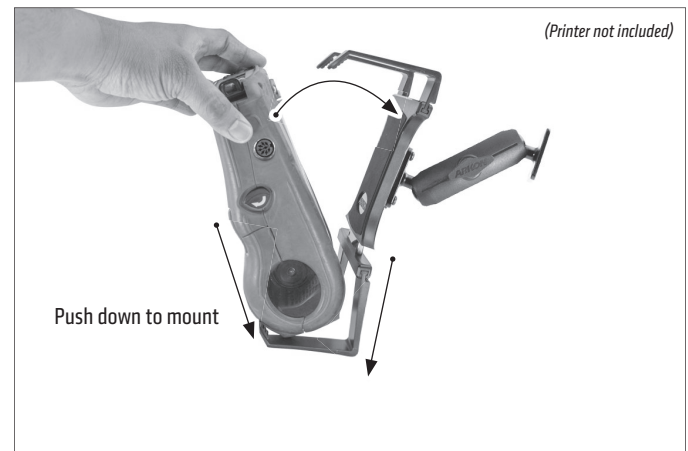
- 2** **A)** Attach the holder to the AMPS adapter with the provided screws.
B) Select a safe location in the vehicle to drill and install the AMPS adapter (screws not provided).



- 3** Attach the Robust Mount Shaft to the AMPS adapter. Attach the holder to the Robust Mount Shaft. Tighten adjustment knob to secure.



- 4** Mount printer by pushing down on bottom spring-loaded legs; adjust holder and support legs as needed.



! Safety Precautions
 Arkon is not responsible for any damages caused to your vehicle, your device, or yourself due to the installation or use of this mount. Do not install Arkon products over an air bag cover or within the air bag deployment zone. Arkon Resources, Inc. assumes no responsibility of liability for injury or death as a result of car crashes and/or air bag deployment.

ARKON MOUNTS
 Consumer Hotline:
 USA (800) 841-0884
 INT'L (626) 254-9005
 Monday - Friday 9 am - 5 pm, PST
 www.arkon.com
 Arcadia, CA 91006 USA
 Designed in USA | Made in Taiwan and USA
 © Copyright 2019 Arkon Resources, Inc.