

**Package Contents:**

- (1) TAB001-AMPS – Slim-Grip® Universal Holder with 4-Hole AMPS Mounting Pattern
- (1) SPPTAB1FT – Mobile Printer-Compatible Support Legs
- (1) SPSEATMT – Car Seat Wedge Mount Pedestal
- (1) APMAMPS25MM – Metal AMPS to 25mm Ball Adapter
- (1) SP-RM250 – Robust Series Mount Shaft

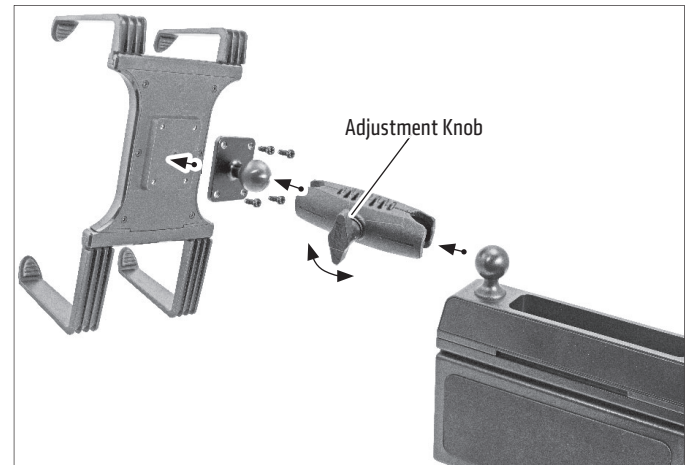
Select a combination of 4 support legs in conjunction for use with the spring-loaded holder to achieve the perfect fit for your mobile printer.

**IMPORTANT: This is a spring-loaded holder.** After selecting and installing the support legs that will fit your mobile printer, **push down on the lower legs to engage the spring-loaded holder** and mount your device.

- 1** Attach long or short support legs to the holder based on the size of your device.



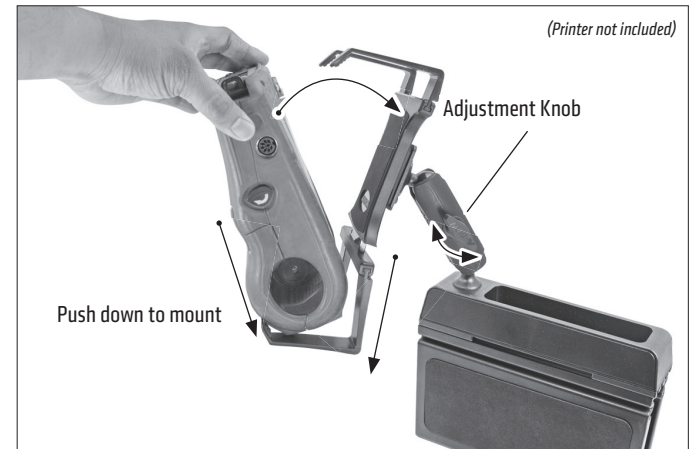
- 2** Attach the adapter to the holder with the provided screws. Combine the Robust Shaft to adapter and seat mount and tighten adjustment knob to secure.



- 3** Insert seat mount into the opening between console and seat on the passenger side of the vehicle.



- 4** Mount printer by pushing down on bottom spring-loaded legs; adjust holder and support legs as needed.



**! Safety Precautions**  
 Arkon is not responsible for any damages caused to your vehicle, your device, or yourself due to the installation or use of this mount. Do not install Arkon products over an air bag cover or within the air bag deployment zone. Arkon Resources, Inc. assumes no responsibility of liability for injury or death as a result of car crashes and/or air bag deployment.

**ARKON MOUNTS**  
**Consumer Hotline:**  
 USA (800) 841-0884  
 INT'L (626) 254-9005  
 Monday - Friday 9 am - 5 pm, PST

**www.arkon.com**  
 Arcadia, CA 91006 USA  
 Designed in USA | Made in Taiwan and USA  
 © Copyright 2019 Arkon Resources, Inc.