

Includes:

- 1 - 4-Hole AMPS to 25mm Ball Adapter (APAMPS25MM)
- 1 - Robust™ Series 3.75 inch Shaft Arm (SP-RM250)
- 1 - Cup Holder Mounting Pedestal (SPRM023)

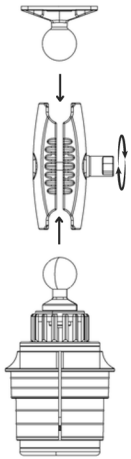
Please take note of the pads included in SPRM023 packaging:

- 1 - Set of 4 Self-Adhesive Pads (SP023PAD) - Optional

Important: Clean the application surface and make sure it is free of dirt, dust, and grease before installation.

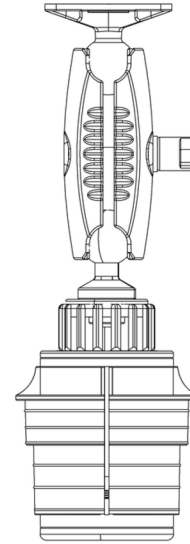
1 Assemble the components

Turn the knob counterclockwise to loosen them. Next, attach the 25mm ball adapters to both ends. Finally, tighten the knob to secure everything in place.



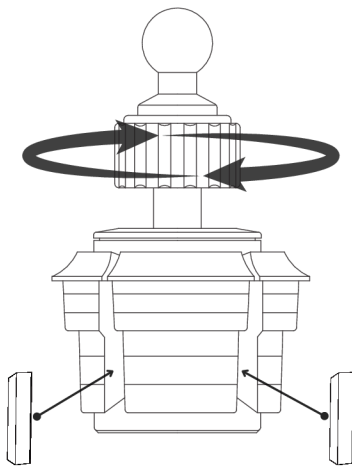
2 Fully assembled

Refer to the image below for the full assembled product.



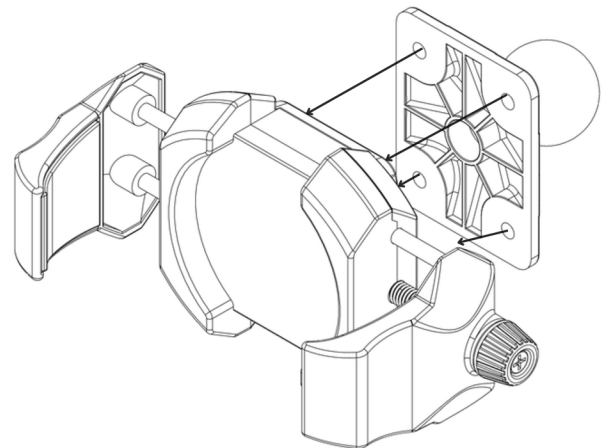
3 Expand the cup holder

To adjust the base to fit your car's cup holder area, simply twist it counterclockwise. In case of oversized cup holders, utilize the adhesive pads included in the package.



4 Install a device holder compatible with AMPS

Attach a 4-Hole AMPS device holder (sold separately) to the top of the pedestal to have a complete mounting system.



WARNING

CHOKING HAZARD - Keep out of reach from children under 8 yrs. as they can choke or suffocate on parts included with this system

WARNING

Arkon® is not responsible for any damages caused to your device or yourself due to the installation or use of this mount. Do not install Arkon® products near areas that interfere with operation of vehicles. Arkon® assumes no responsibility or liability for injury or death as a result of failure to install in a safe location. Arkon® is not responsible for any damages caused to vehicles, product, or people due to the installation or use of this product.

