



SPRM023



SP-RM250

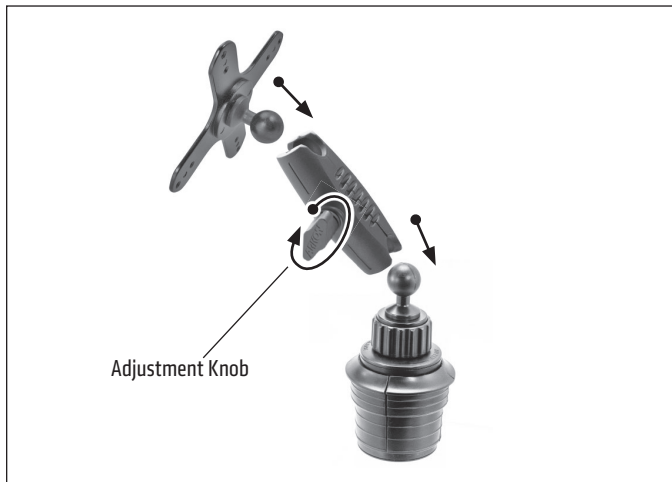


AP25MMVESA

**Package Contents:**

- (1) **SPRM023** – Robust Car Cup Holder Mounting Pedestal
- (1) **SP-RM250** – Robust Mount Shaft
- (1) **AP25MMVESA** – 25mm Ball to VESA 75/100 Adapter

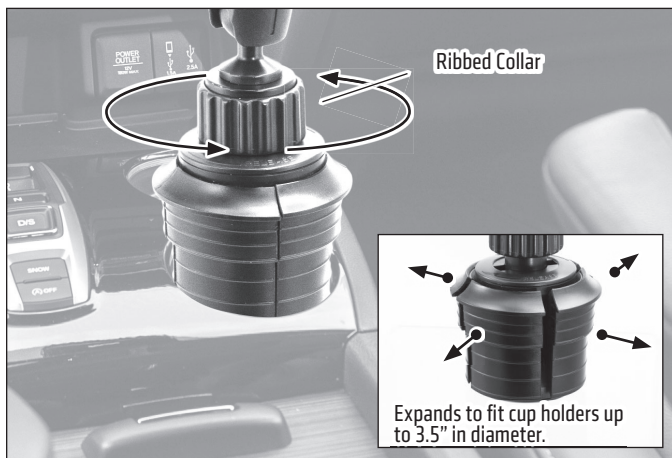
- 1** Attach Robust shaft and adapter to cup holder pedestal by unscrewing knob on pedestal to loosen. Screw knob to tighten.



- 2** Insert mount into cup holder.



- 3** Twist ribbed collar counterclockwise to expand base to fit cup holder as needed.



- 4** Attach VESA compatible device/holder as desired (not included).



**Safety Precautions**

Do not install Arkon products over an air bag cover or within the air bag deployment zone. Arkon Resources, Inc. assumes no responsibility of liability for injury or death as a result of car crashes and / or air bag deployment. Arkon is not responsible for any damages caused to your vehicle, your device, or yourself due to the installation or use of this mounting pedestal.

**ARKON® MOUNTS**

Consumer Hotline:  
 USA (800) 841-0884  
 INT'L (626) 254-9005  
 Monday - Friday 9 am - 5 pm, PST

[www.arkon.com](http://www.arkon.com)  
 Arcadia, CA 91006 USA  
 Designed in USA | Made in Taiwan  
 © Copyright 2019 Arkon Resources, Inc.