



RM0862T



SP25MMCAM

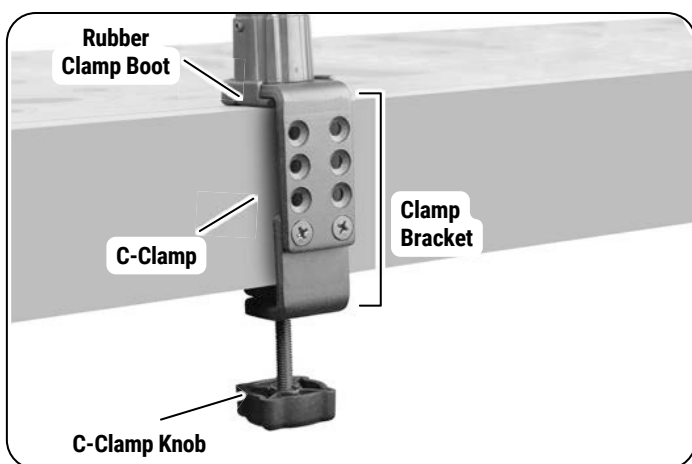
Includes:

- 1 - Clamp Mounting Pedestal (RM0862T)
- 1 - 25mm Ball to 1/4"-20 Camera Mounting Bolt Adapter (SP25MMCAM)

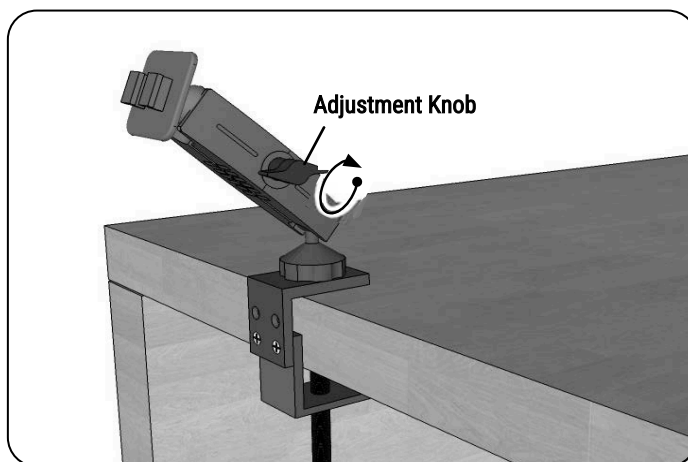
Optional - (1) Rubber Clamp Boot

Clamp opening: 0" - 3" (0mm - 76mm)

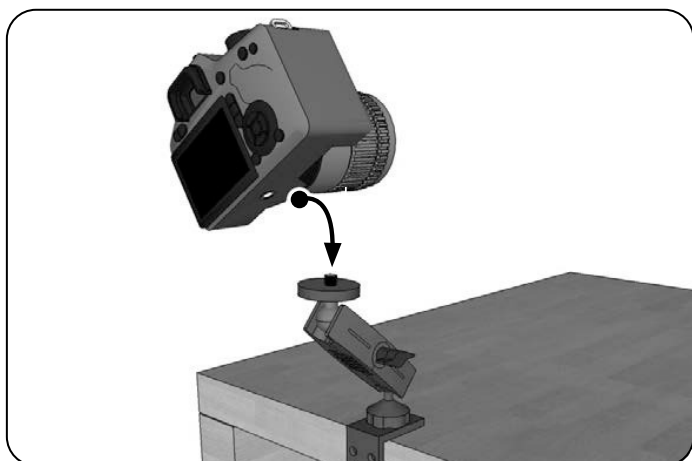
- 1** Attach the pedestal clamp by turning the C-clamp knob. Use a Phillips screwdriver to adjust the clamp bracket position if needed.



- 2** Adjust the position by loosening the adjustment knob, then tighten it back to secure the desired angle.



- 3** To attach the camera adapter, detach the Dual-T head from the shaft arm. Then, connect a camera (**sold separately**) with a standard 1/4"-20 socket to the screw on the mounting head.



WARNING

CHOKING HAZARD - Keep out of reach from children under 8 yrs. as they can choke or suffocate on parts included with this system

WARNING

Arkon® is not responsible for any damages caused to your device or yourself due to the installation or use of this mount. Do not install Arkon® products near areas that interfere with operation of vehicles. Arkon® assumes no responsibility or liability for injury or death as a result of failure to install in a safe location. Arkon® is not responsible for any damages caused to vehicles, product, or people due to the installation or use of this product.

