



RM0862T

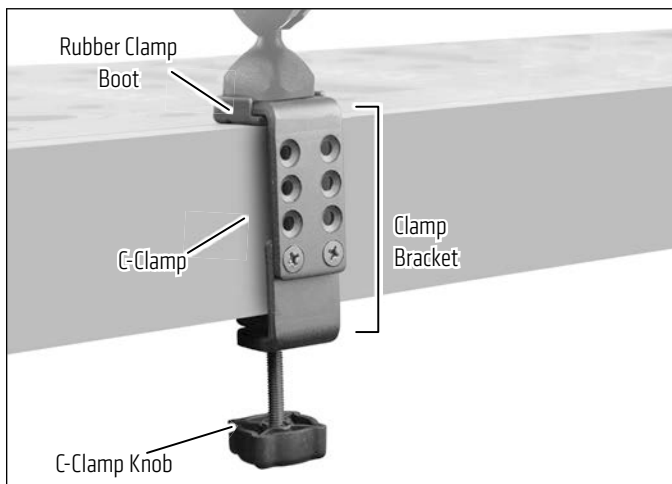
**Package Contents:**

**RM0862T** – Heavy-Duty C-Clamp Mounting Pedestal

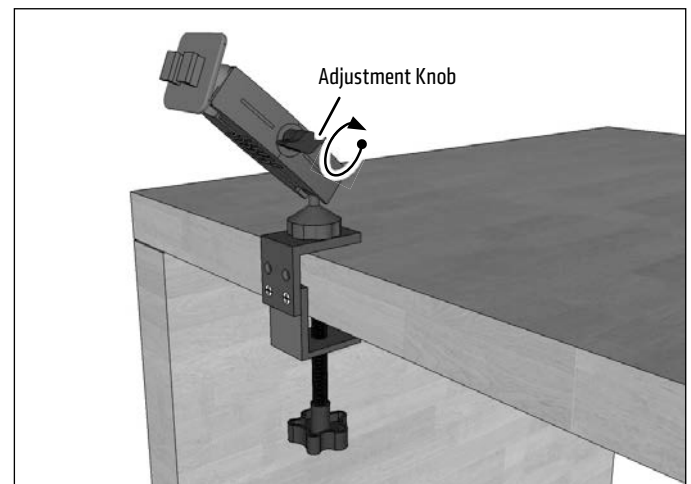
**OPTIONAL** - (1) Rubber Clamp Boot

**NOTE:** Clamp opening: 0" - 3" (0mm - 76mm)

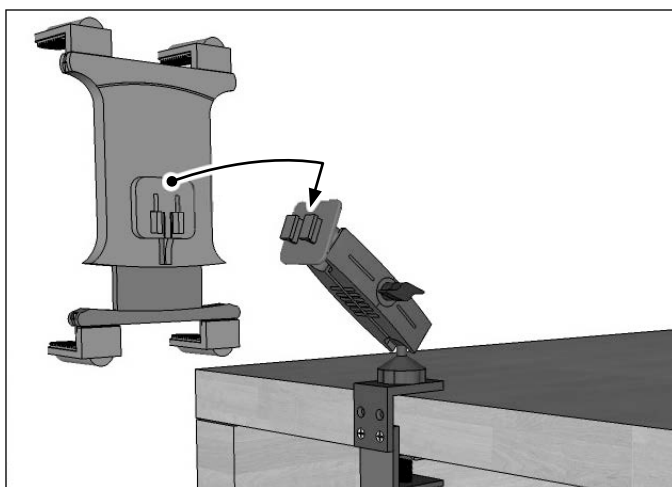
- 1 Attach mount to surface by tightening C-Clamp knob; adjust the clamp bracket if necessary with a Phillips screwdriver. Slide optional rubber clamp boot onto the top of the mount's clamp to prevent scratching clamp surface if desired.



- 2 Loosen adjustment knob to adjust position. Retighten to set to desired angle.



- 3 Attach any Arkon Dual-T compatible holder (sold separately) by sliding the Dual T-Tabs into the Dual T-Slots.



**! Safety Precautions**

Arkon is not responsible for any damages caused to your device or yourself due to the installation or use of this pedestal mount.

**ARKON MOUNTS**

Consumer Hotline:

USA (800) 841-0884

INT'L (626) 254-9005

Monday - Friday 9 am - 5 pm, PST

[www.arkon.com](http://www.arkon.com)

Arcadia, CA 91006 USA

Designed in USA | Made in Taiwan

© Copyright 2021 Arkon Resources, Inc.