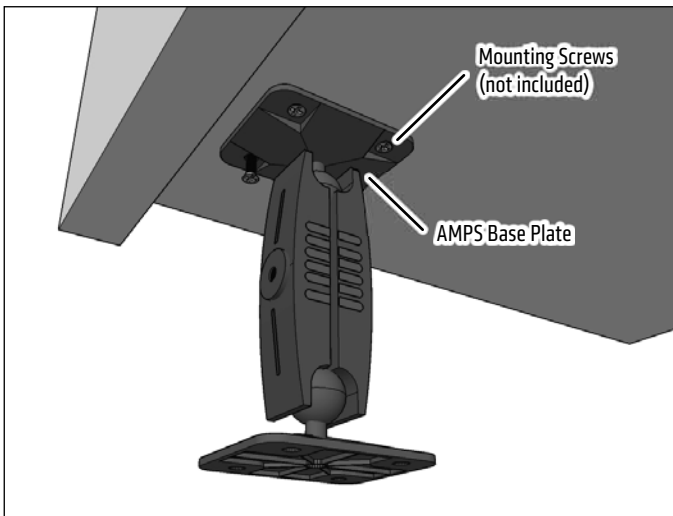




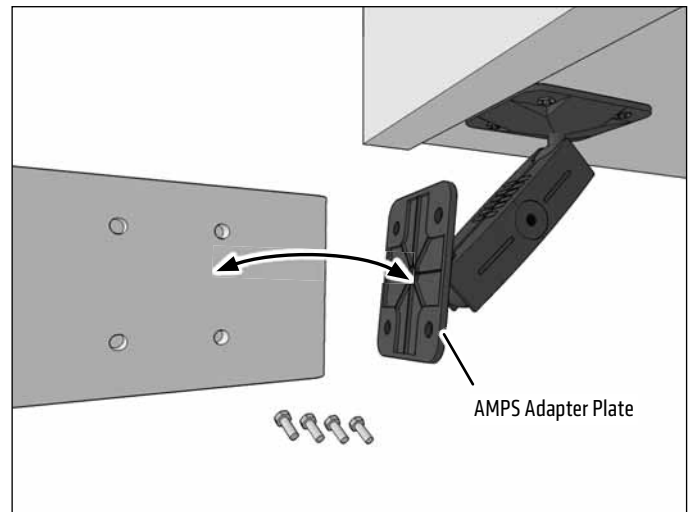
**Package Contents:**

**RM2XAMPS-SH** – Heavy-Duty 4-Hole AMPS to 4-Hole AMPS Mounting Pedestal with Security Hardware (includes Allen wrench, mounting bolt and nut)

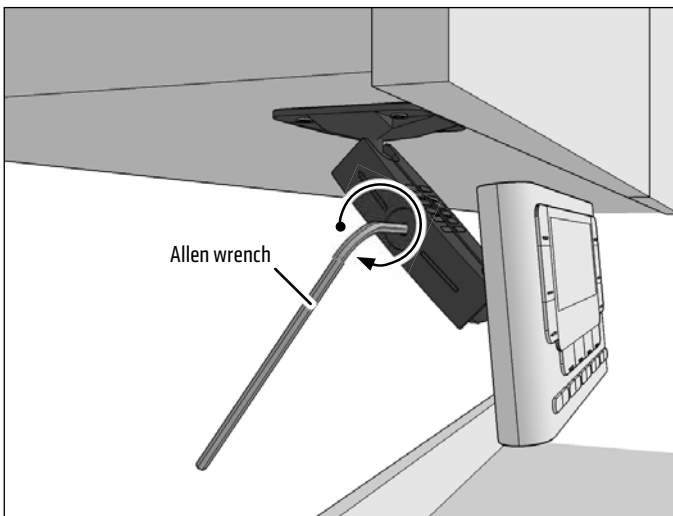
- 1 Attach the pedestal to the mounting surface through the AMPS base plate. Choose the screws (not included) that will work best on the chosen mounting surface.



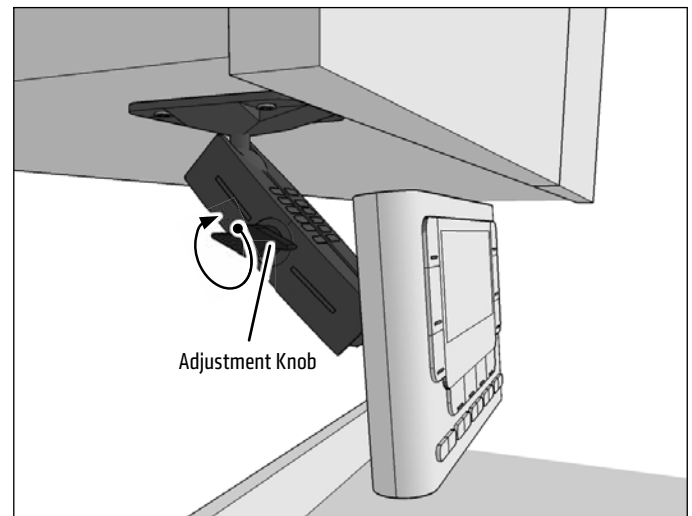
- 2 Attach any AMPS-compatible device, holder, or adapter (not included, sold separately) to the AMPS adapter plate.



- 3 To adjust pedestal position, loosen the hex bolt with Allen wrench and reposition. Retighten to set.



**Optional:** A regular bolt and adjustment knob are included to swap with the hex bolt for adjusting the pedestal without the Allen wrench.



**! Safety Precautions**

Do not install Arkon products over an air bag cover or within the air bag deployment zone. Arkon Resources, Inc. assumes no responsibility of liability for injury or death as a result of car crashes and / or air bag deployment.

Arkon is not responsible for any damages caused to your vehicle, your device, or yourself due to the installation or use of this mount.

**ARKON**  
RESOURCES INC.

*The Mobile Mounting Specialists™*

Consumer Hotline:

USA (800) 841-0884

INT'L (626) 254-9005

Monday - Friday 9 am - 5 pm, PST

[www.arkon.com](http://www.arkon.com)

Arcadia, CA 91006 USA

Designed in USA | Made in Taiwan

© Copyright 2018 Arkon Resources, Inc.