

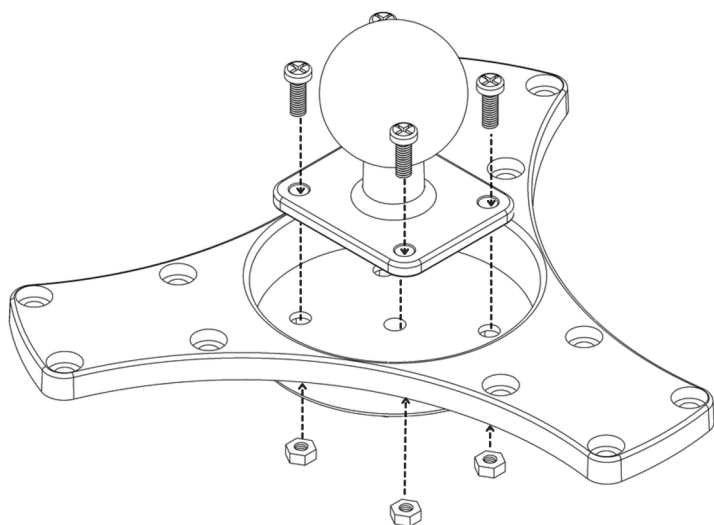
## Includes:

- 1 - Triple Suction Splitter Bar Plate (APSPLTR0803R)
- 4 - Screws and Nuts (SP-12M-4M7)
- 3 - Suction Cup Bases (SP080AMPSR)
- 12 - Screws (M4 x 12mm Phillips Pan Head Machine)
- 2 - Metal 4-Hole AMPS to 38mm Ball Adapter (APMAMPS38MM)
- 1 - Robust™ Series 5.75" Shaft Arm (SPRM3850)
- 3 - Alcohol Pads (XACP)

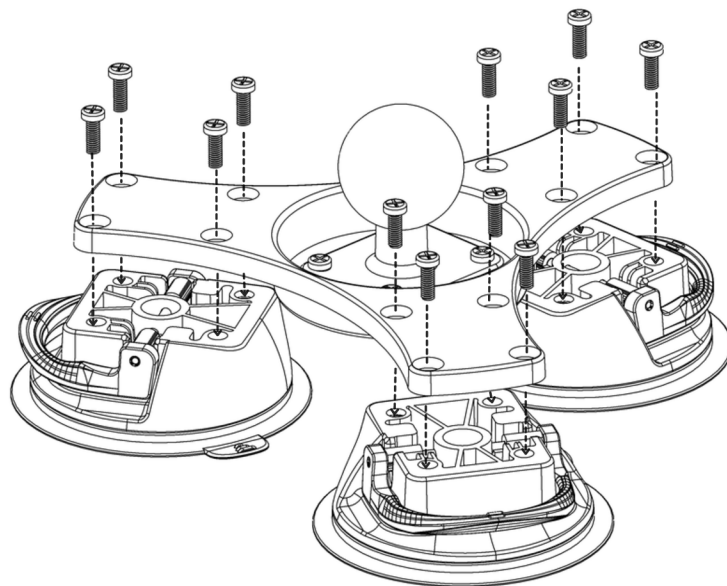
**Note:** For installing on dashboards or flat surfaces that contain texturized material the use of a dash mounting disc may be required.

**Important:** Clean the application surface and make sure it is free of dirt, dust, and grease before installing the mounting hardware.

- 1 Attach the AMPS Adapter to the Splitter Bar Plate**  
Place the AMPS adapter over the holes on the splitter bar plate. Utilize the supplied hardware to firmly secure the AMPS adapter in place on the plate.



- 2 Assemble the Splitter Bar Plate onto the Suction Cups**  
Begin by aligning the holes in the splitter bar plate with those on the suction cups. Next, insert the four mounting screws through the plate and into the suction cup bases. Finally, make sure to tighten the screws securely.



### WARNING

CHOKING HAZARD - Keep out of reach from children under 8 yrs. as they can choke or suffocate on parts included with this system

### WARNING

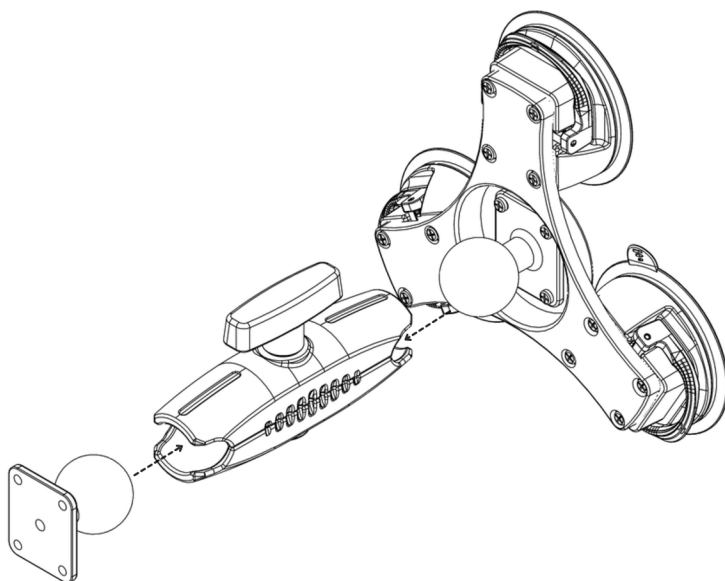
Arkon® is not responsible for any damages caused to your device or yourself due to the installation or use of this mount. Do not install Arkon® products near areas that interfere with operation of vehicles. Arkon® assumes no responsibility or liability for injury or death as a result of failure to install in a safe location. Arkon® is not responsible for any damages caused to vehicles, product, or people due to the installation or use of this product.

Continued on page 2



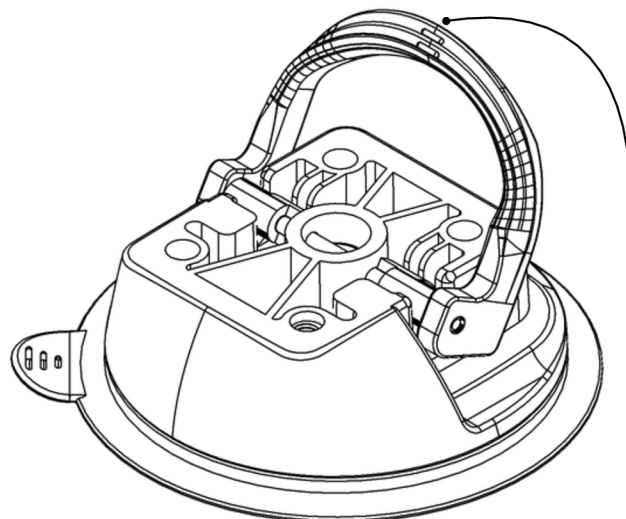
### 3 Assemble All Components

Turn the shaft knob counterclockwise to loosen it. Then, attach the 38mm ball adapters to each end. Lastly, tighten the shaft to ensure everything is securely in position.



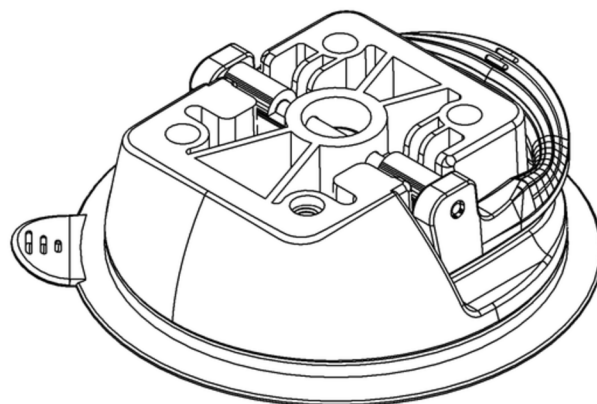
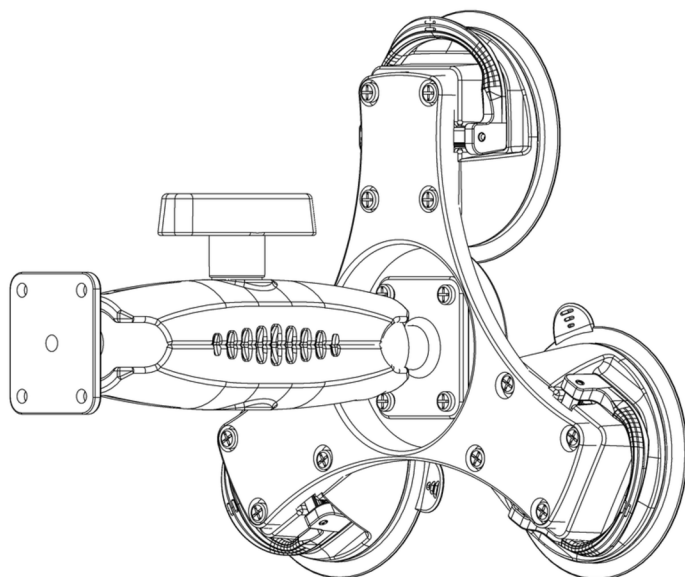
### 4 Install the suction cups to a surface

Locate a safe flat surface on the dash or console to mount the base. Clean the surface with the provided alcohol pads. Let the surface dry before applying. Remove the clear plastic protective film from the suction bases. Push the pedestal suction cup firmly to the surface. Flip the lever down to secure the suction cup.



### 5 Fully Assembled

Refer to the image below for the full assembled product.



#### WARNING

CHOKING HAZARD - Keep out of reach from children under 8 yrs. as they can choke or suffocate on parts included with this system

#### WARNING

Arkon® is not responsible for any damages caused to your device or yourself due to the installation or use of this mount. Do not install Arkon® products near areas that interfere with operation of vehicles. Arkon® assumes no responsibility or liability for injury or death as a result of failure to install in a safe location. Arkon® is not responsible for any damages caused to vehicles, product, or people due to the installation or use of this product.

