

APMAMPS25MM

SPRM8SKT

SPRM8CBAMPS

Includes:

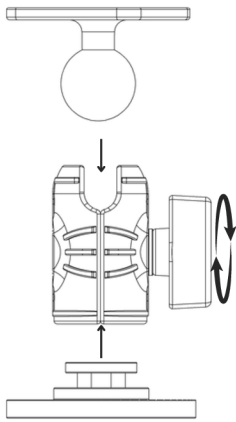
- 1 - Metal 4-Hole AMPS to 25mm Ball Adapter (APMAMPS25MM)
- 1 - OCTO™ Series 25mm Ball with Octagon Button Arm (SPRM8SKT)
- 1 - OCTO™ Series Button to AMPS Round Adapter (SPRM8CBAMPS)

Please note that screws are not included.

Important: Clean the application surface and make sure it is free of dirt, dust, and grease before installation.

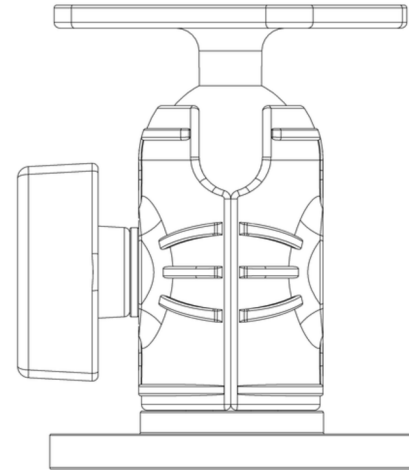
1 Assemble the components

Turn the knob counterclockwise to loosen them. Next, attach the 25mm ball adapters to both ends. Finally, tighten the knob to secure everything in place.



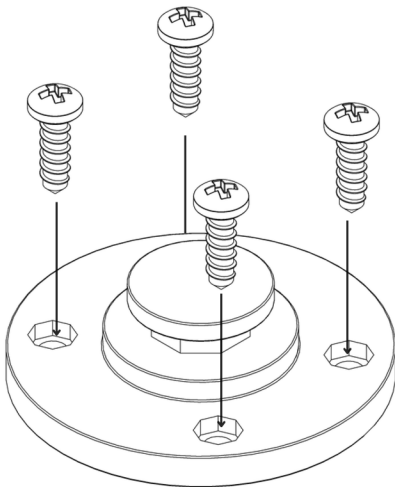
2 Fully Assembled

Refer to the image below for the full assembled product.



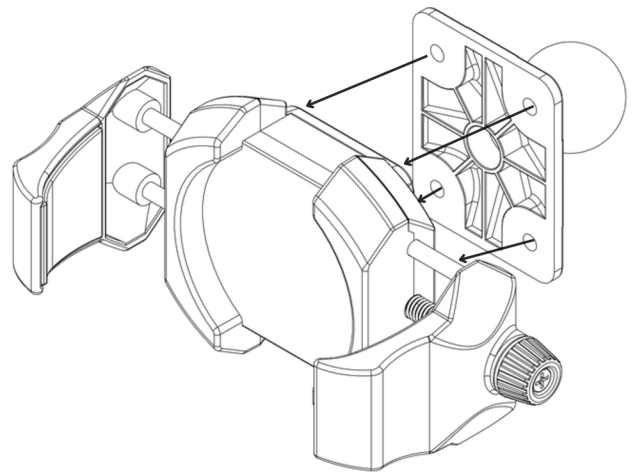
3 Mount Installation

Securely attach the pedestal to a mounting surface using hardware (**not included**).



4 Install a device holder compatible with AMPS

Attach a 4-Hole AMPS device holder (**sold separately**) to the top of the pedestal to have a complete mounting system.



WARNING

CHOKING HAZARD - Keep out of reach from children under 8 yrs. as they can choke or suffocate on parts included with this system

WARNING

Arkon® is not responsible for any damages caused to your device or yourself due to the installation or use of this mount. Do not install Arkon® products near areas that interfere with operation of vehicles. Arkon® assumes no responsibility or liability for injury or death as a result of failure to install in a safe location. Arkon® is not responsible for any damages caused to vehicles, product, or people due to the installation or use of this product.

