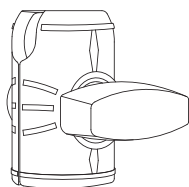
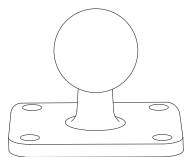


SPRM8AMPS



SPRM8SKT



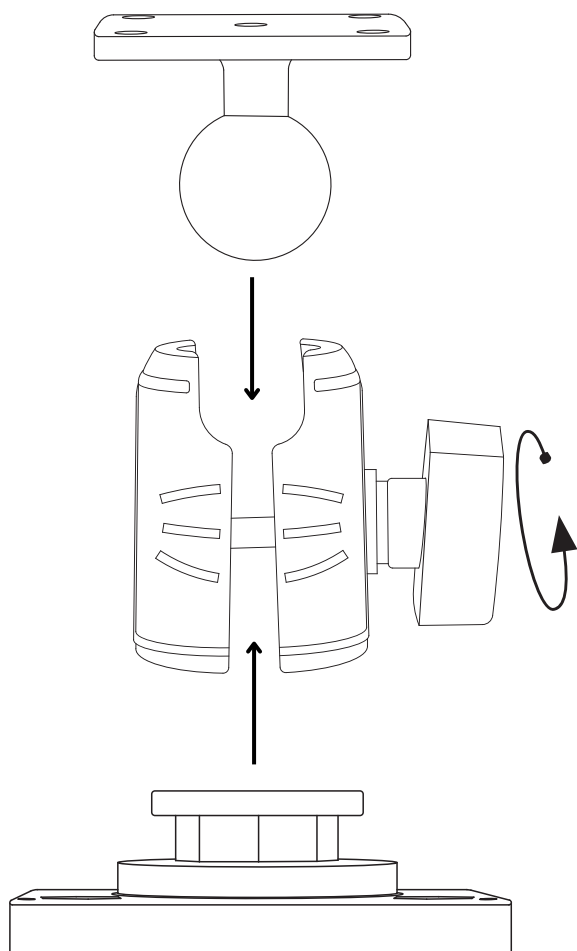
APMAMPS25MM

Includes:

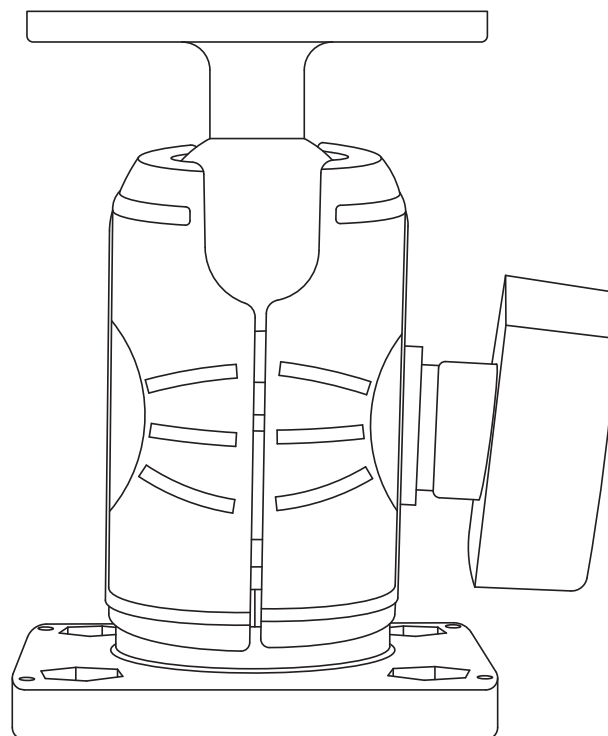
- 1 - Button Pattern to 4-Hole AMPS Adapter (SPRM8AMPS)
- 1 - Single Ball Socket with Button Socket Arm (SPRM8SKT)
- 1 - 25mm Ball to 4-Hole AMPS Adapter (APMAMPS25MM)

Please note that there are no screws included in this kit.

1 To disassemble the socket arm, rotate the knob counter-clockwise. Next, connect the socket arm to the button pattern adapter. Reassemble the socket arm without fully tightening it. Lastly, attach the 25mm ball adapter to the socket arm's top and secure it tightly.



2 The product has been fully assembled as illustrated below.



WARNING

CHOKING HAZARD - Keep out of reach from children under 8 yrs. as they can choke or suffocate on parts included with this system

WARNING

Arkon® is not responsible for any damages caused to your device or yourself due to the installation or use of this mount. Do not install Arkon® products near areas that interfere with operation of vehicles. Arkon® assumes no responsibility or liability for injury or death as a result of failure to install in a safe location. Arkon® is not responsible for any damages caused to vehicles, product, or people due to the installation or use of this product.

