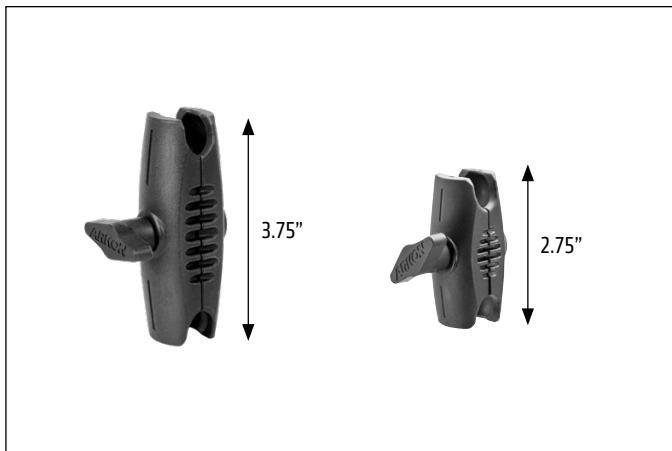




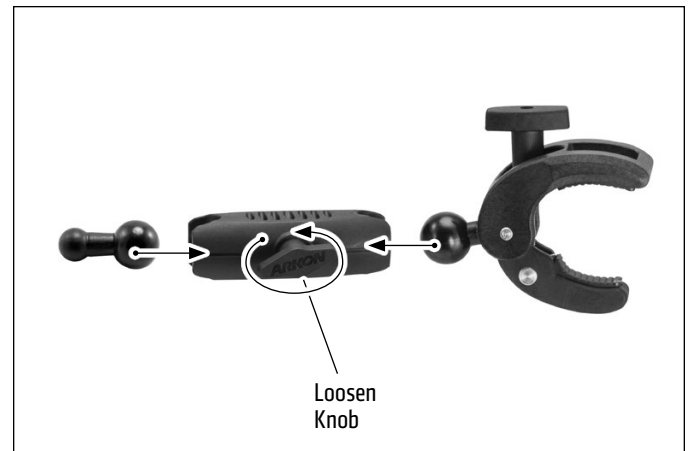
Package Contents:

- (1) CPM01B – Robust Clamp Mount with 25mm Ball
- (1) SP-RM250 – Robust Mount Shaft
- (1) SP-RMS250 – Small Robust Mount Shaft
- (1) SP25MM17 – 25mm (1 inch) Ball to 17mm Ball Adapter

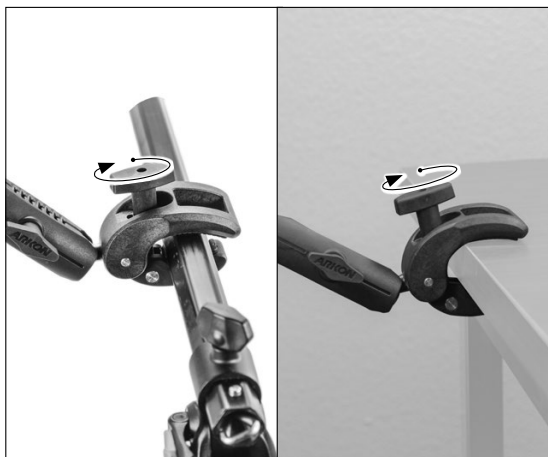
1 Select the size of Robust Mount Shaft that will work best for your mounting environment.*



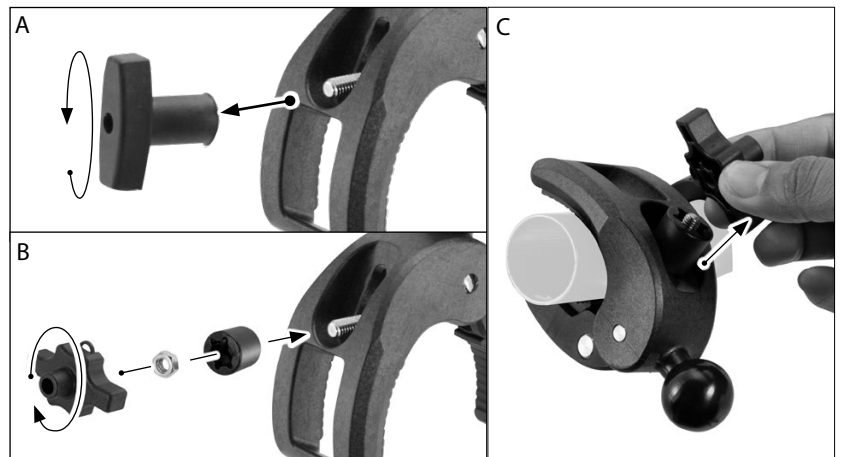
2 Loosen the Robust Mount Shaft to attach the adapter, and clamp mount. Tighten to secure.



3 Tighten clamp knob to mount to pole or surface.



Optional: To secure the clamp mount: (A) remove the existing knob (B) replace with security kit as shown (C) tighten the clamp with the removable knob key, then remove knob to deter theft.



*To create a custom mount using both Robust Mount Shafts, Arkon recommends Models SP25MM25 (25mm Ball to 25mm Ball Adapter) or Model APT325MM (T-Shaped Adapter with Triple 25mm Ball Pattern).



Safety Precautions

Arkon is not responsible for any damages caused to you, your passengers, or your device due to the installation or use of this mount.

ARKON MOUNTS

Consumer Hotline:

USA (800) 841-0884

INT'L (626) 254-9005

Monday - Friday 9 am - 5 pm, PST

www.arkon.com

Arcadia, CA 91006 USA

Designed in USA | Made in Taiwan and USA

© Copyright 2019 Arkon Resources, Inc.