



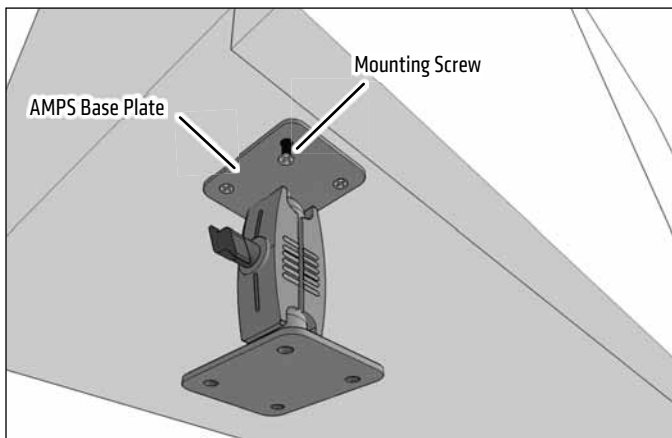
RMS2XAMPS-MET-SH

**Package Contents:**

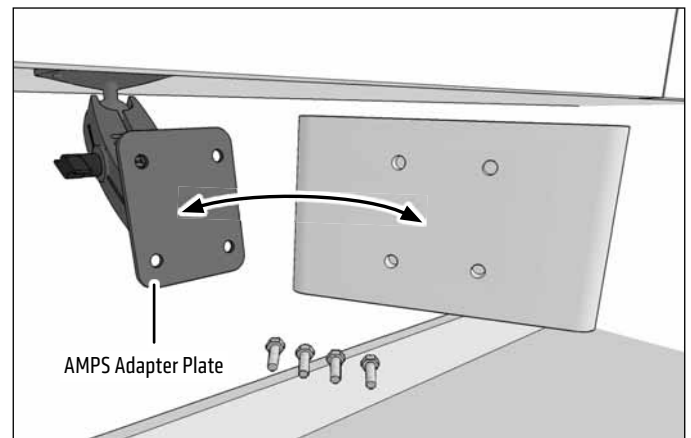
**(1) RMS2XAMPS-MET-SH** – Small 4-Hole AMPS Mounting Pedestal with 4-Hole AMPS Head

Use included security hardware for fleet or retail installations.

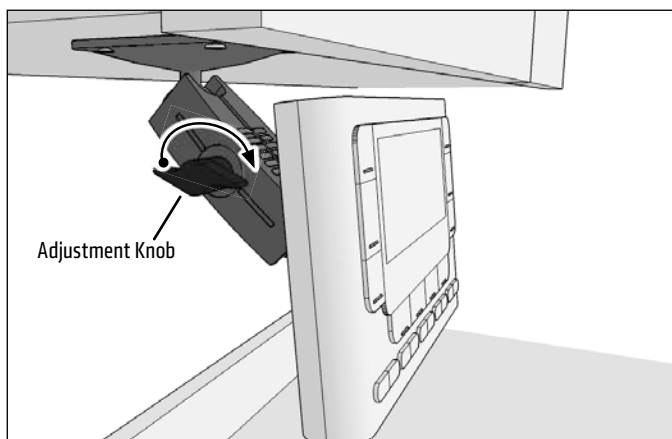
- 1** Attach the pedestal to the mounting surface through the AMPS base plate. Choose the screws (not included) that will work best on the chosen mounting surface.



- 2** Attach any AMPS-compatible device, holder, or adapter (not included, sold separately) to the AMPS adapter plate.



- 3** Loosen adjustment knob to adjust position. Retighten to set.



Optional: To remove knob for security purposes, unscrew knob and replace with long screw.



**ARKON**  
RESOURCES INC.

The Mobile Mounting Specialists™

**Consumer Hotline:**

**USA** (800) 841-0884

**INT'L** (626) 254-9005

Monday - Friday 9 am - 5 pm, PST

**www.arkon.com**

Arcadia, CA 91006 USA

Designed in USA | Made in Taiwan

© Copyright 2017 Arkon Resources, Inc.