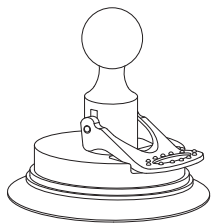


SPRMSRA



SPRM081B



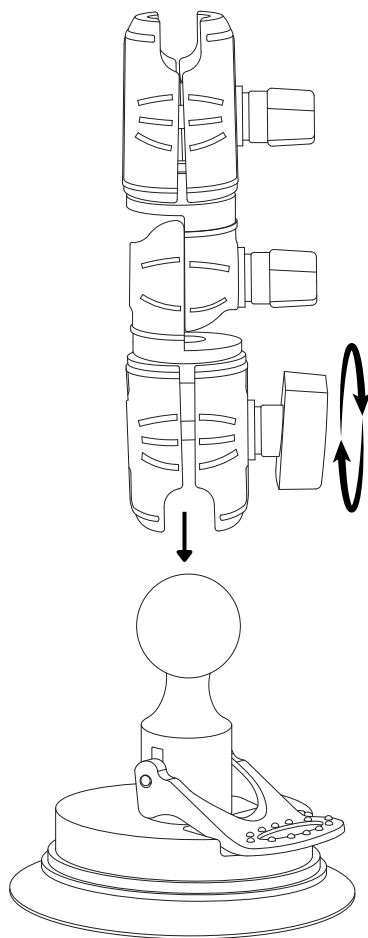
XACP

Includes:

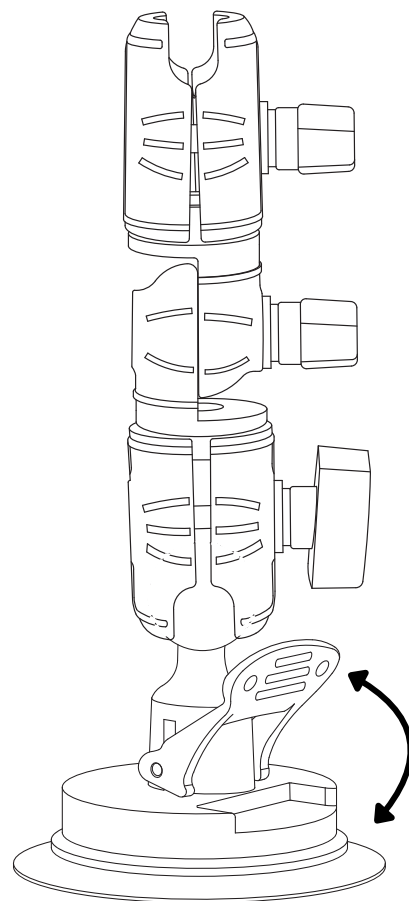
- 1 - OCTO™ Series 6 inch Ratcheting Swivel Shaft Arm (SPRMSRA)
- 1 - Windshield Suction Base to 25mm Ball (SPRM081B)
- 1 - Alcohol Pad (XACP)

IMPORTANT: Clean the application surface and make sure it is free of dirt, dust, and grease before installing the mounting hardware.

1 Attach the ratcheting swivel shaft arm to the suction base
 First, loosen the knob at one end of the arm by turning it counterclockwise. Next, insert the ball adapter into the swivel arm and tighten the knob securely.



2 Install on flat surface
 Place mount on a flat surface, clean the surface with the provided alcohol pad, peel off the protective sheet, press the suction cup firmly, and lock it by flipping the lever downward.



WARNING

CHOKING HAZARD - Keep out of reach from children under 8 yrs. as they can choke or suffocate on parts included with this system

WARNING

Arkon® is not responsible for any damages caused to your device or yourself due to the installation or use of this mount. Do not install Arkon® products near areas that interfere with operation of vehicles. Arkon® assumes no responsibility or liability for injury or death as a result of failure to install in a safe location. Arkon® is not responsible for any damages caused to vehicles, product, or people due to the installation or use of this product.

