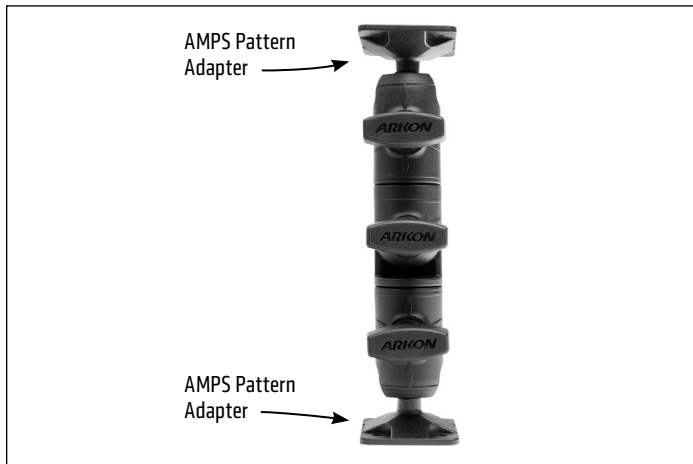




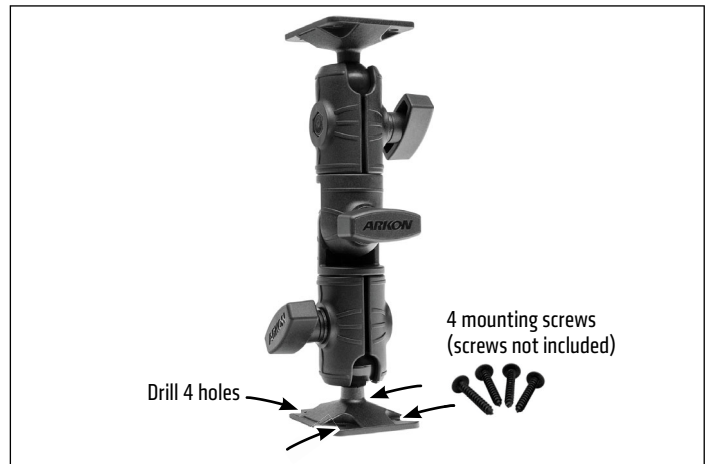
**Package Contents:**  
**RMSRA2XAMPS** – Ratcheting 4-hole AMPS Drill Base Mount

**⚠ WARNING**  
 Drilling into a vehicle or console is a permanent installation. Use caution and consult a mobile install professional to avoid drilling into the electrical system, gas tank, or other highly sensitive vehicle components.

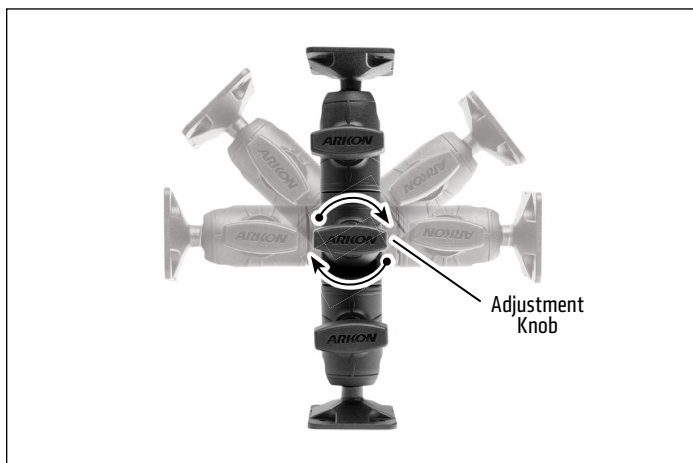
**1** Robust ratcheting drill base mount has two 4-hole AMPS pattern adapters at both ends of the mount.



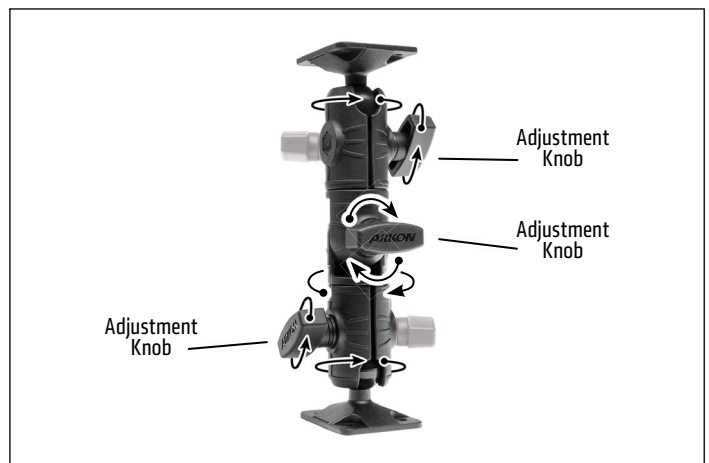
**2** Use 4 mounting screws (screws not included) of appropriate length to secure AMPS pattern adapter to a wall or flat mounting surface.



**3** To adjust the angle of the center robust ratcheting elbow, loosen the center adjustment knob. Retighten the knob desired angle. The angles of the 4-hole AMPS pattern mount can also adjusted using the adjustment knobs directly above the 4-hole AMPS pattern adapter plates.



**4** The robust mount can also swivel by rotating the center elbow or at the 4-hole AMPS pattern adapter plates. Loosen the corresponding adjustment knobs to desired locations and retighten as needed.



**⚠ Safety Precautions**  
 Do not install Arkon products over an air bag cover or within the air bag deployment zone. Arkon Mounts assumes no responsibility of liability for injury or death as a result of car crashes and / or air bag deployment.

Arkon is not responsible for any damages caused to your vehicle, your device, your passengers, or yourself due to the installation or use of this mount.

**ARKON MOUNTS**

Consumer Hotline: [www.arkon.com](http://www.arkon.com)  
 USA (800) 841-0884 Arcadia, CA 91006 USA  
 INT'L (626) 254-9005 Designed in USA | Made in China  
 Monday - Friday 9am - 5pm, PST © Copyright 2022 Arkon Resources, Inc.