

APCMAMPS25

SPRMSRA

APD2MAMPS25

Includes:

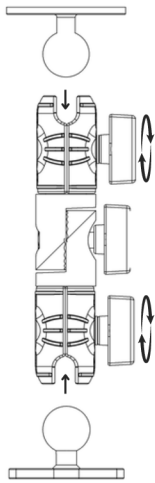
- 1 - Circular Metal Base with 25mm Ball Adapter (APCMAMPS25)
- 1 - OCTO™ Series 6 inch Ratcheting Swivel Shaft Arm (SPRMSRA)
- 1 - Diamond-Shaped 25mm Ball to 2-Hole AMPS (APD2MAMPS25)

Please note that screws are not included.

Important: Clean the application surface and make sure it is free of dirt, dust, and grease before installation.

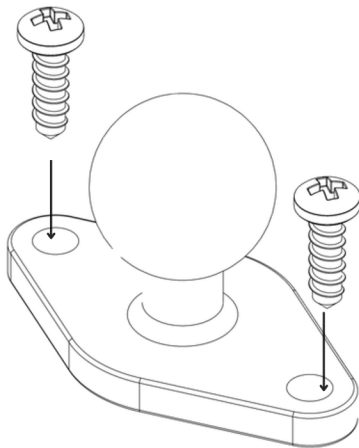
1 Assemble the components

Turn the knobs counterclockwise to loosen them. Next, attach the 25mm ball adapters to both ends. Finally, tighten the knobs to secure everything in place.



3 Mount Installation

Securely attach the pedestal to a mounting surface using hardware (**not included**).



WARNING

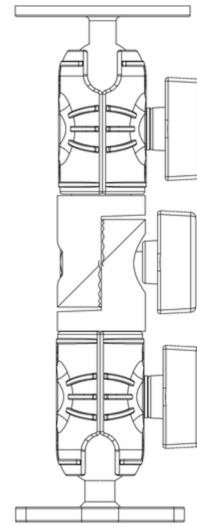
CHOKING HAZARD - Keep out of reach from children under 8 yrs. as they can choke or suffocate on parts included with this system

WARNING

Arkon® is not responsible for any damages caused to your device or yourself due to the installation or use of this mount. Do not install Arkon® products near areas that interfere with operation of vehicles. Arkon® assumes no responsibility or liability for injury or death as a result of failure to install in a safe location. Arkon® is not responsible for any damages caused to vehicles, product, or people due to the installation or use of this product.

2 Fully Assembled

Refer to the image below for the full assembled product.



4 Install a device holder compatible with AMPS

Attach a 4-Hole AMPS device holder (**sold separately**) to the top of the pedestal to have a complete mounting system.

