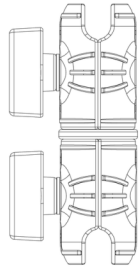


APAMPS25MM



SPRMSWA

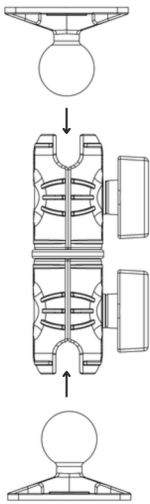
Includes:

- 2 - 4-Hole AMPS to 25mm Ball Adapter (APAMPS25MM)
- 1 - OCTO™ Series 4.25 inch Double Socket Shaft Arm (SPRMSWA)

Please note that screws are not included.

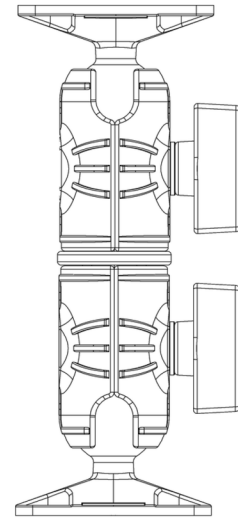
1 Assemble the components

Turn both shaft knobs counterclockwise to loosen it. Next, attach the 25mm ball adapters to both ends. Finally, tighten the shaft to secure everything in place.



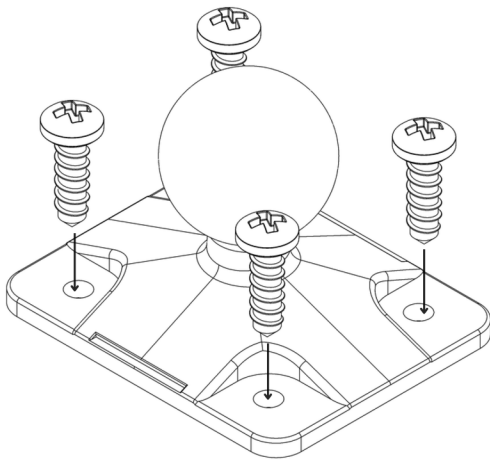
2 Fully Assembled

Refer to the image below for the full assembled product.



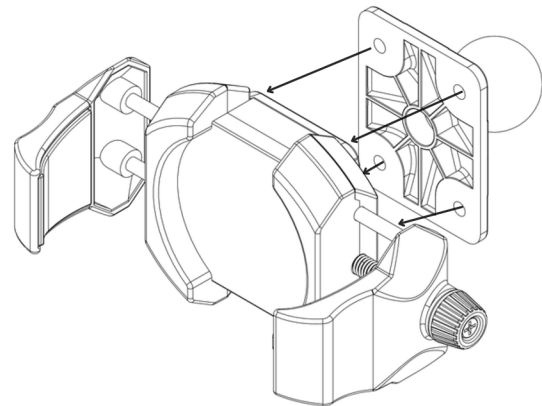
3 Mount Installation

Securely attach the pedestal to a mounting surface using hardware (**not included**).



4 Install a device holder compatible with AMPS

Attach a 4-Hole AMPS device holder (**sold separately**) to the top of the pedestal to have a complete mounting system.



WARNING

CHOKING HAZARD - Keep out of reach from children under 8 yrs. as they can choke or suffocate on parts included with this system

WARNING

Arkon® is not responsible for any damages caused to your device or yourself due to the installation or use of this mount. Do not install Arkon® products near areas that interfere with operation of vehicles. Arkon® assumes no responsibility or liability for injury or death as a result of failure to install in a safe location. Arkon® is not responsible for any damages caused to vehicles, product, or people due to the installation or use of this product.